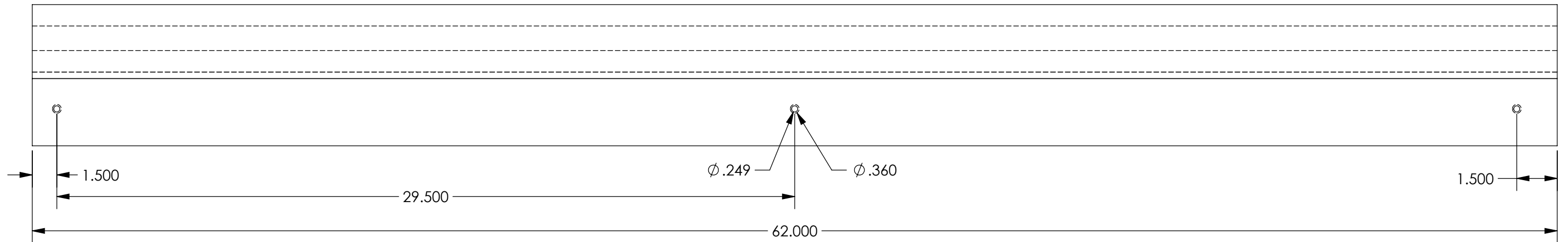
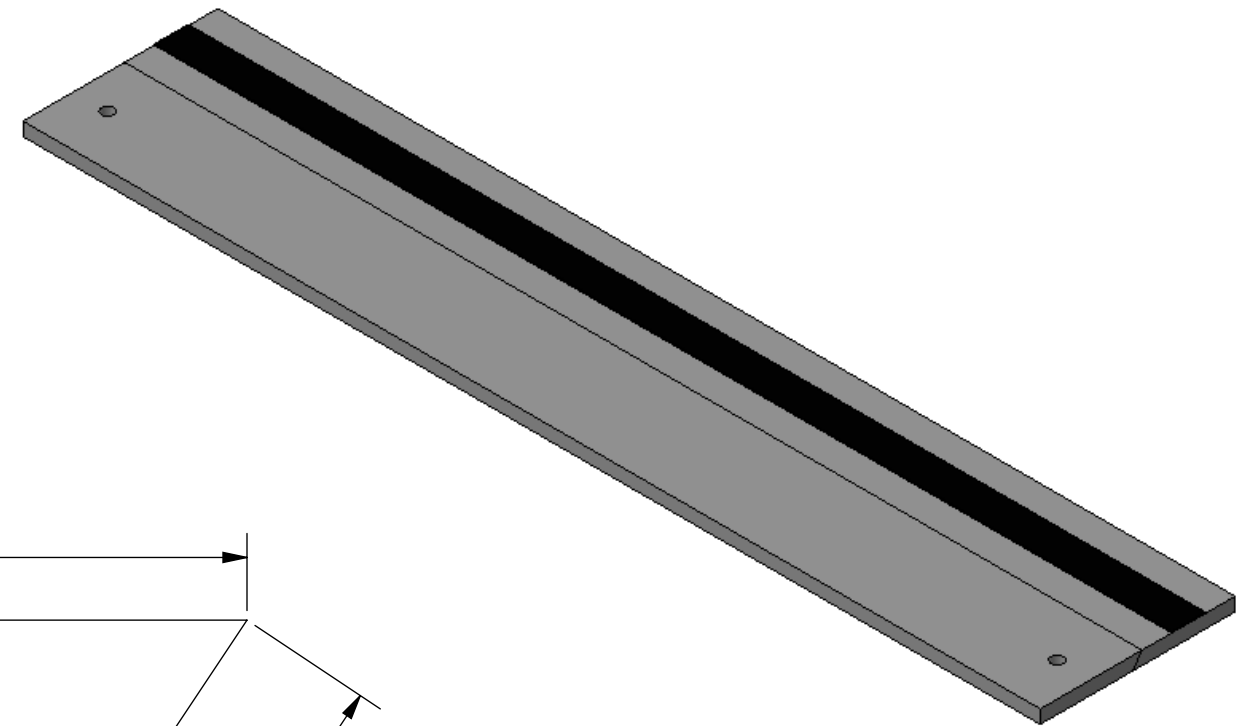
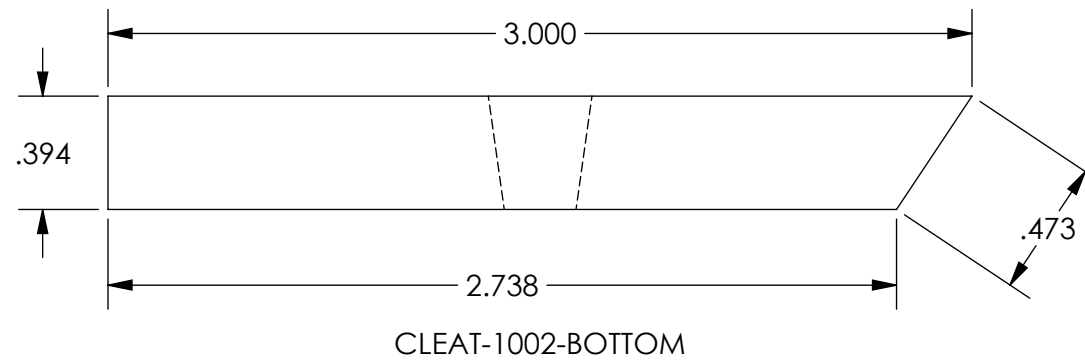
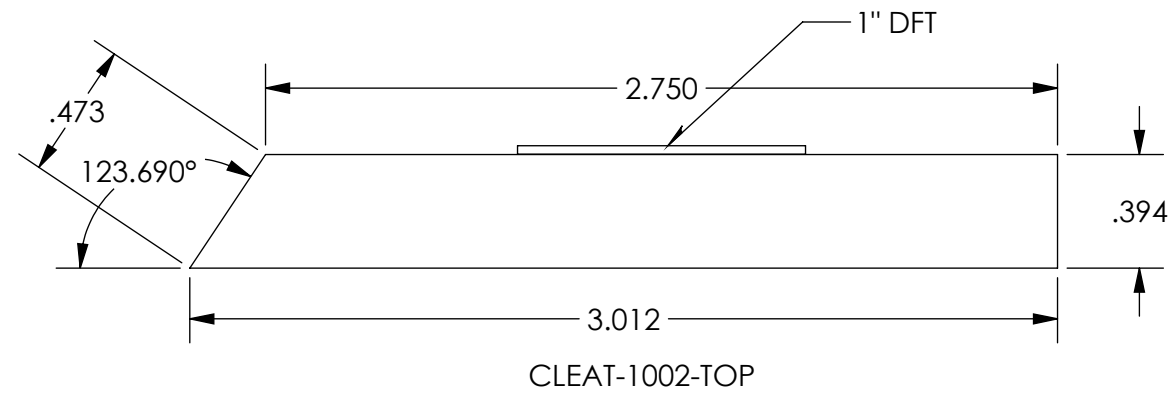



The information contained in this document is the sole property of Creative Plastics LLC. Any reproduction, in part or as a whole without the written permission of Creative Plastics LLC is strictly prohibited.

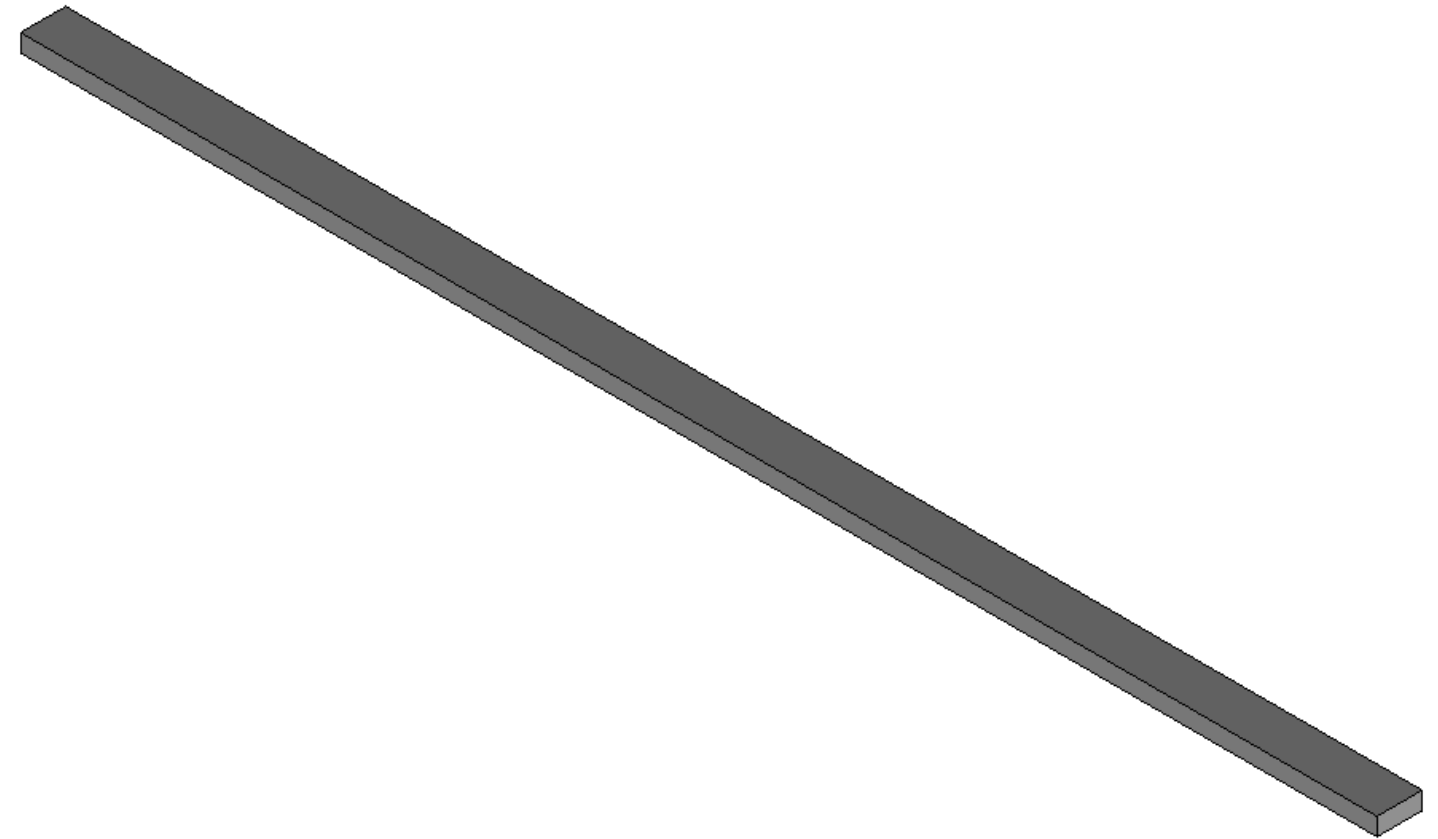
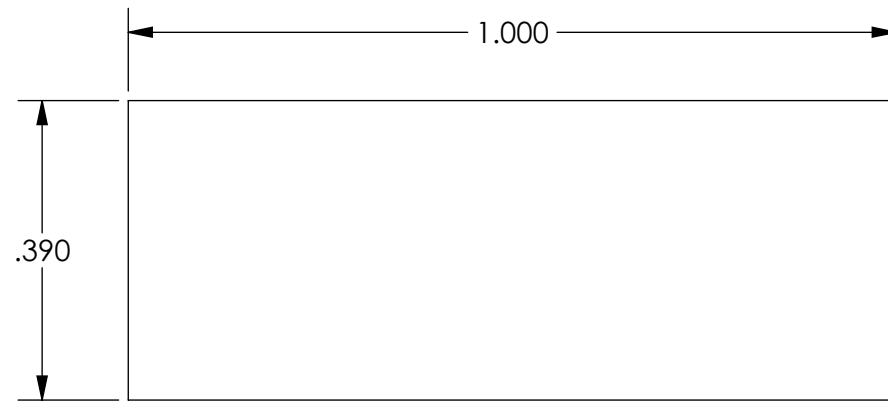


| | |
|-----------------|--------------------|
| CUT LENGTH: | 60.000" |
| MATERIAL: | EPVC |
| COLOR: | WHITE |
| PART THICKNESS: | 3mm |
| NOTES: | HOLES DRILLED (X3) |


| REVISIONS | | | |
|-----------|-------------------------|------|---------|
| REV. | DESCRIPTION | DATE | ECR No. |
| 0 | RELEASED FOR PRODUCTION | - | |

| | | | | |
|---|------------------|--------------|-------------|--|
| DIMENSIONS IN PARENTHESES ARE FOR REFERENCE ONLY | DESIGN: | ENG. | DATE |  Creative Plastics LLC WWW.CREATIVEPLASTICSLLC.COM 1039 Willowdale Rd. NW Dalton, GA 30720 |
| | WH | | 08/16/2011 | |
| ENCIRCLED DIMENSIONS ARE CRITICAL TO QUALITY | AREA: | SCALE: | SIZE: | |
| | | NTS | A | |
| UNLESS OTHERWISE SPECIFIED: DIM. ARE IN INCHES, ANGULAR TOL. = $\pm 1^\circ$ LINEAR = $\pm .032$ " FRACTIONS = $\pm 1/32$ | DIE NUMBER | QUOTE NUMBER | | |
| | | | | |
| INTERPRET DIM. & TOL. PER ASME Y14.5M - 1994 | ITEM DESCRIPTION | | PART NUMBER | REV. |
| | CLEAT | | CLEAT-1001 | |

The information contained in this document is the sole property of Creative Plastics LLC. Any reproduction, in part or as a whole without the written permission of Creative Plastics LLC is strictly prohibited.



| | |
|-----------------|---------|
| CUT LENGTH: | 60.000" |
| MATERIAL: | EPVC |
| COLOR: | WHITE |
| PART THICKNESS: | 3mm |
| NOTES: | |

| | | | | |
|---|-----------------------|--------------|------------|---|
| DIMENSIONS IN PARENTHESES ARE FOR REFERENCE ONLY | DESIGN: | ENG. | DATE |  Creative Plastics LLC WWW.CREATIVEPLASTICSLLC.COM |
| | WH | | 08/16/2011 | |
| ENCIRCLED DIMENSIONS ARE CRITICAL TO QUALITY | AREA: | SCALE: | SIZE: | |
| | | NTS | A | |
| UNLESS OTHERWISE SPECIFIED: DIM. ARE IN INCHES, ANGULAR TOL. = $\pm 1^\circ$ LINEAR = $\pm .032$ " FRACTIONS = $\pm 1/32$ | DIE NUMBER | QUOTE NUMBER | | 1039 Willowdale Rd. NW |
| | | | | 706-529-5372 Dalton, GA 30720 |
| INTERPRET DIM. & TOL. PER ASME Y14.5M - 1994 | ITEM DESCRIPTION | | REV. | |
| | CLEAT STABILIZER | | | |
| | PART NUMBER | | SHEET | |
| | CLEAT-1001-STABILIZER | | 2 of 2 | |