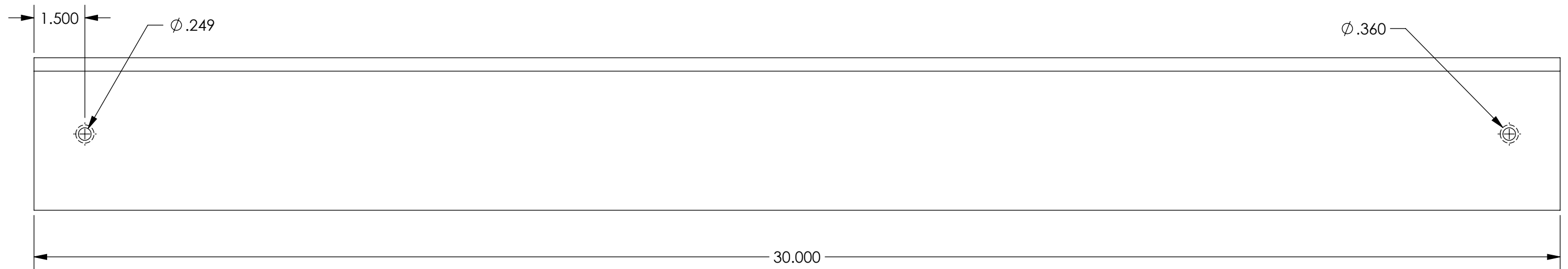
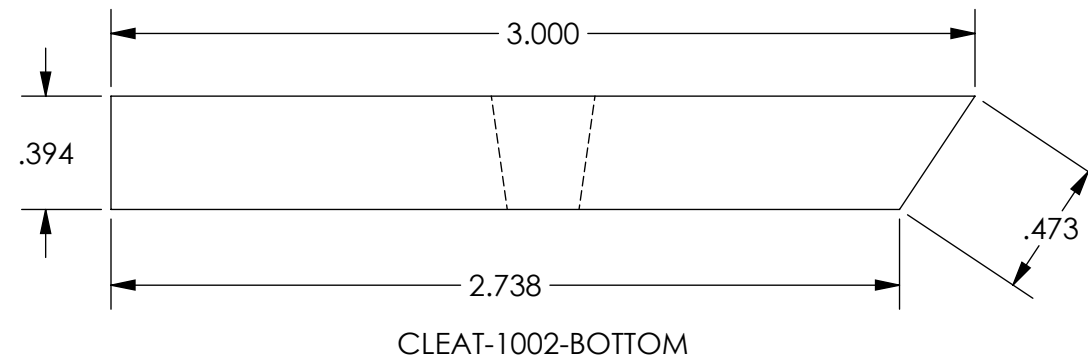
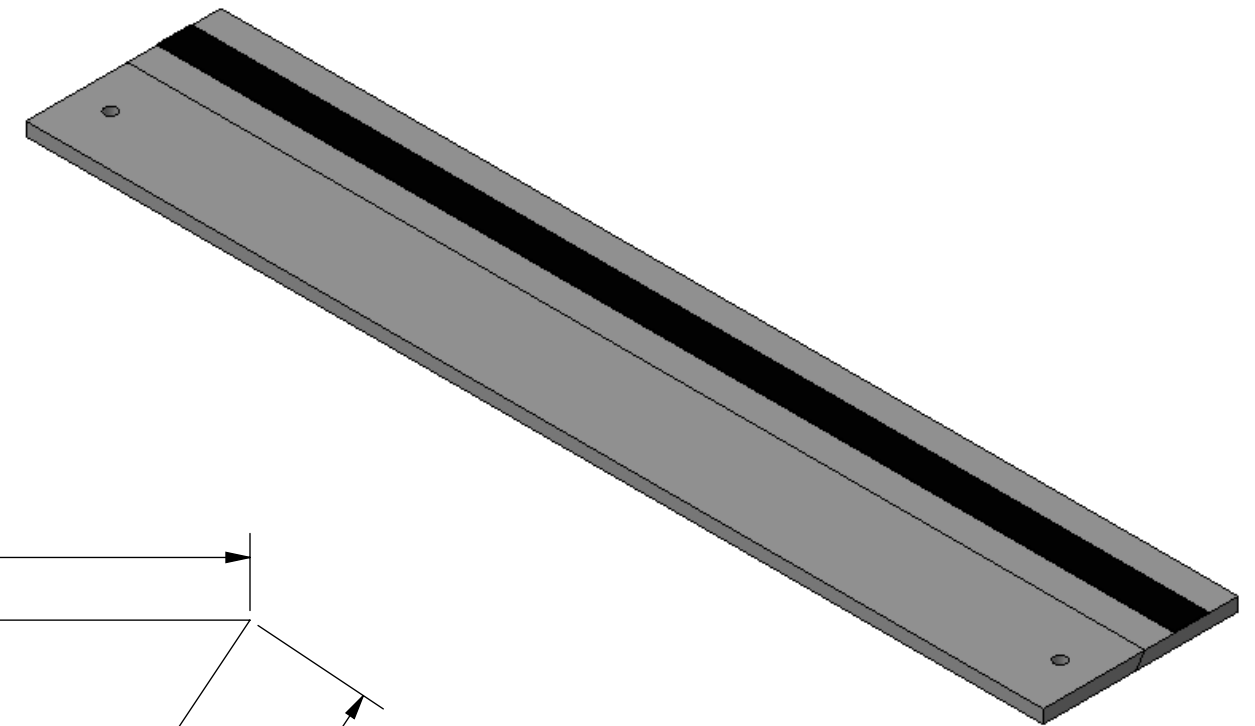
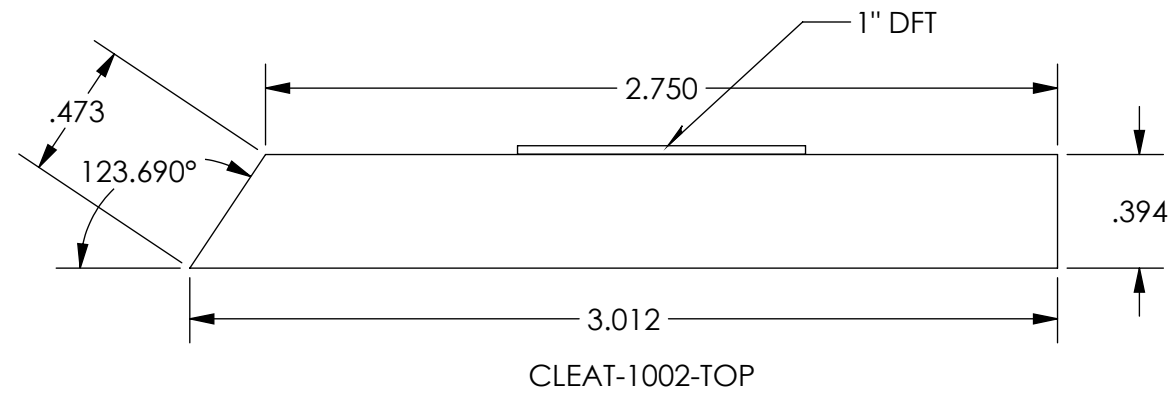


The information contained in this document is the sole property of Creative Plastics LLC. Any reproduction, in part or as a whole without the written permission of Creative Plastics LLC is strictly prohibited.



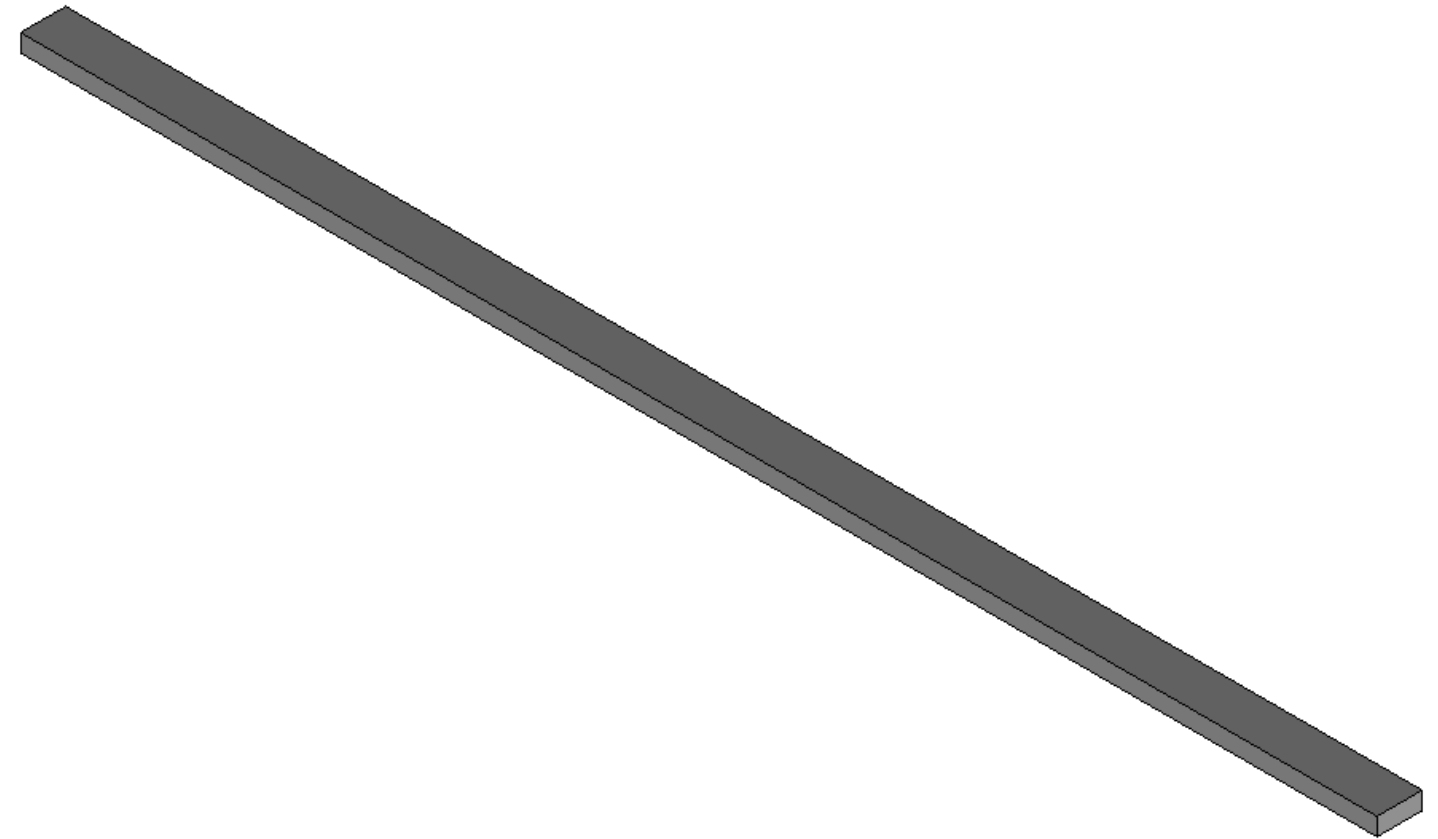
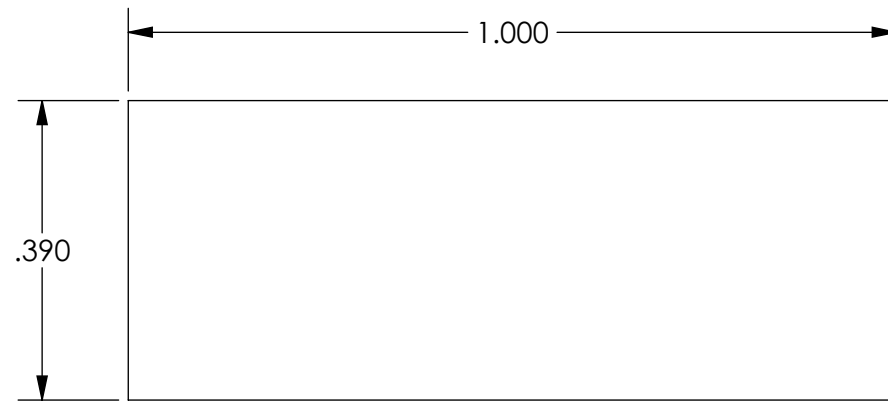
CUT LENGTH:	30.000"
MATERIAL:	EPVC
COLOR:	WHITE
PART THICKNESS:	3mm
NOTES:	HOLES DRILLED (X3)

REVISIONS			
REV.	DESCRIPTION	DATE	ECR No.
0	RELEASED FOR PRODUCTION	-	


DIMENSIONS IN PARENTHESES ARE FOR REFERENCE ONLY		DESIGN: WH	ENG.	DATE 08/16/2011
ENCIRCLED DIMENSIONS ARE CRITICAL TO QUALITY		AREA:	SCALE: NTS	SIZE: A
UNLESS OTHERWISE SPECIFIED: DIM. ARE IN INCHES, ANGULAR TOL. = ±1° LINEAR = ±.032" FRACTIONS = ±1/32		DIE NUMBER	QUOTE NUMBER	
INTERPRET DIM. & TOL. PER ASME Y14.5M - 1994		ITEM DESCRIPTION CLEAT		PART NUMBER CLEAT-1002
		REV.		



The information contained in this document is the sole property of Creative Plastics LLC. Any reproduction, in part or as a whole without the written permission of Creative Plastics LLC is strictly prohibited.



CUT LENGTH:	30.000"
MATERIAL:	EPVC
COLOR:	WHITE
PART THICKNESS:	3mm
NOTES:	

DIMENSIONS IN PARENTHESES ARE FOR REFERENCE ONLY	DESIGN:	ENG.	DATE	 <b>Creative Plastics LLC</b> WWW.CREATIVEPLASTICSLLC.COM
	WH		08/16/2011	
ENCIRCLED DIMENSIONS ARE CRITICAL TO QUALITY	AREA:	SCALE:	SIZE:	
		NTS	A	
UNLESS OTHERWISE SPECIFIED: DIM. ARE IN INCHES, ANGULAR TOL. = $\pm 1^\circ$ LINEAR = $\pm .032$ " FRACTIONS = $\pm 1/32$	DIE NUMBER	QUOTE NUMBER		1039 Willowdale Rd. NW
				706-529-5372 Dalton, GA 30720
INTERPRET DIM. & TOL. PER ASME Y14.5M - 1994	ITEM DESCRIPTION		CLEAT STABILIZER	
	PART NUMBER		CLEAT-1002-STABILIZER	
	REV.		