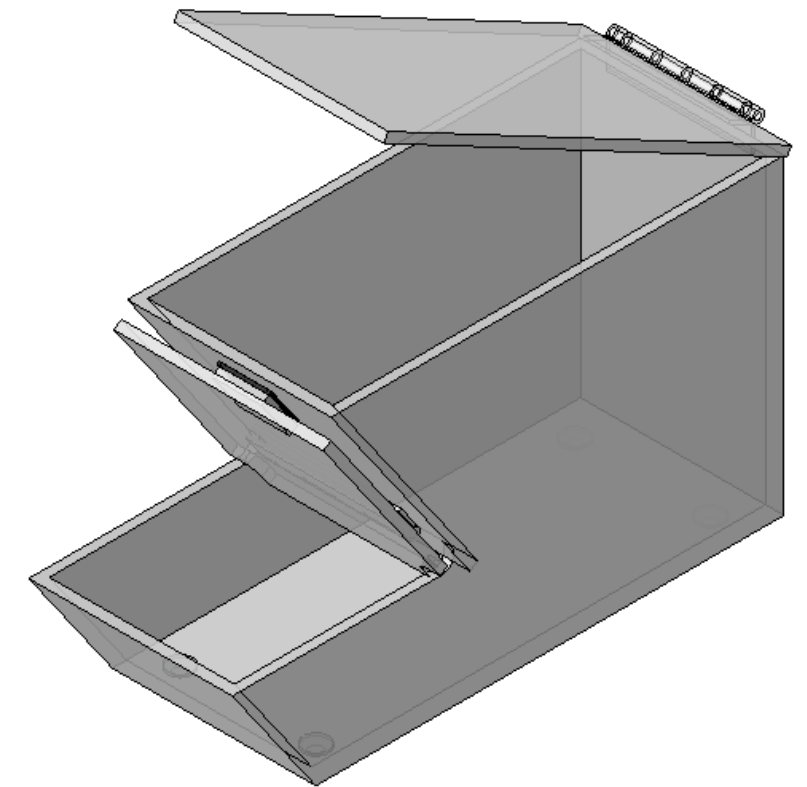
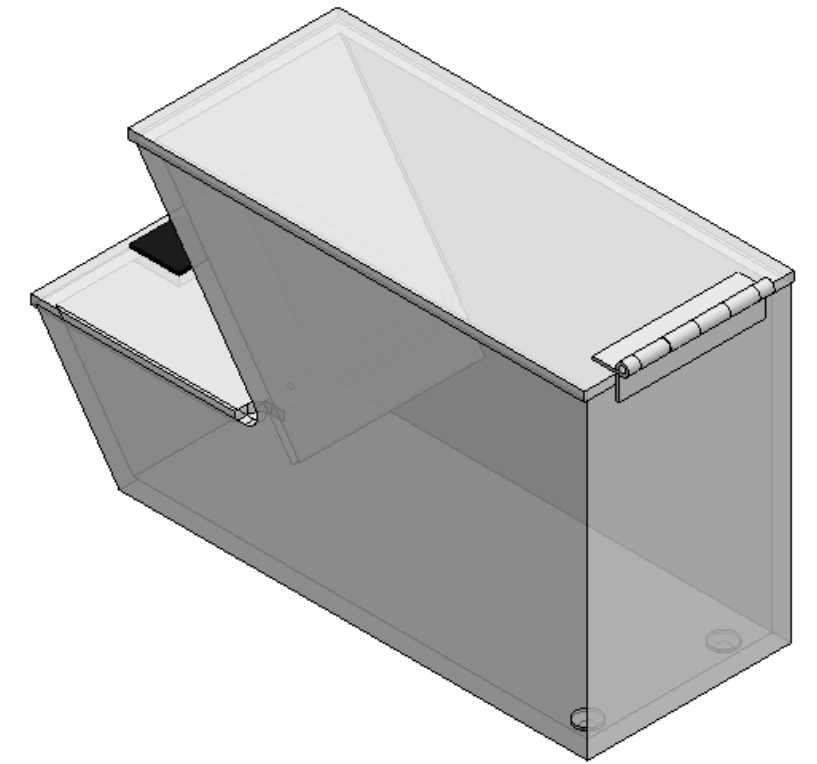
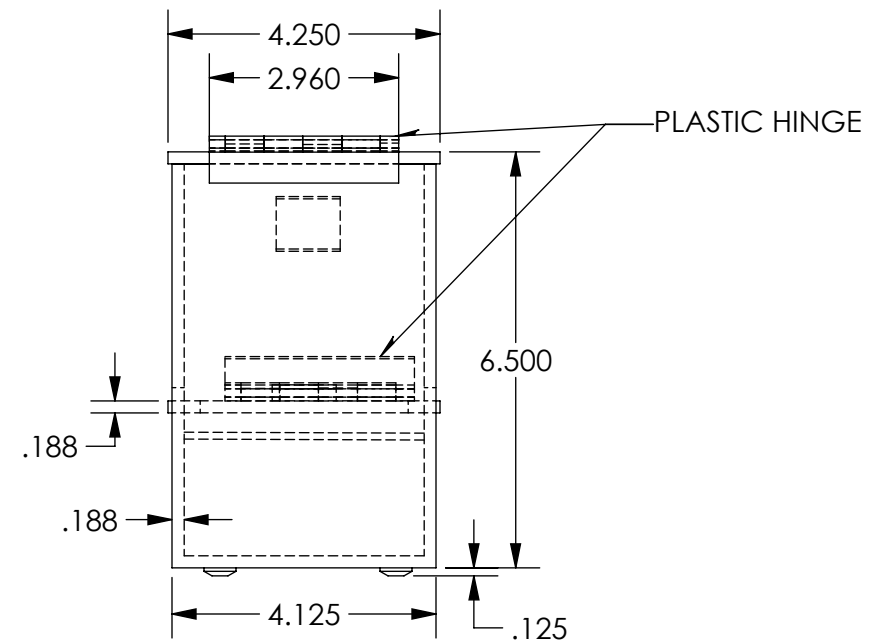
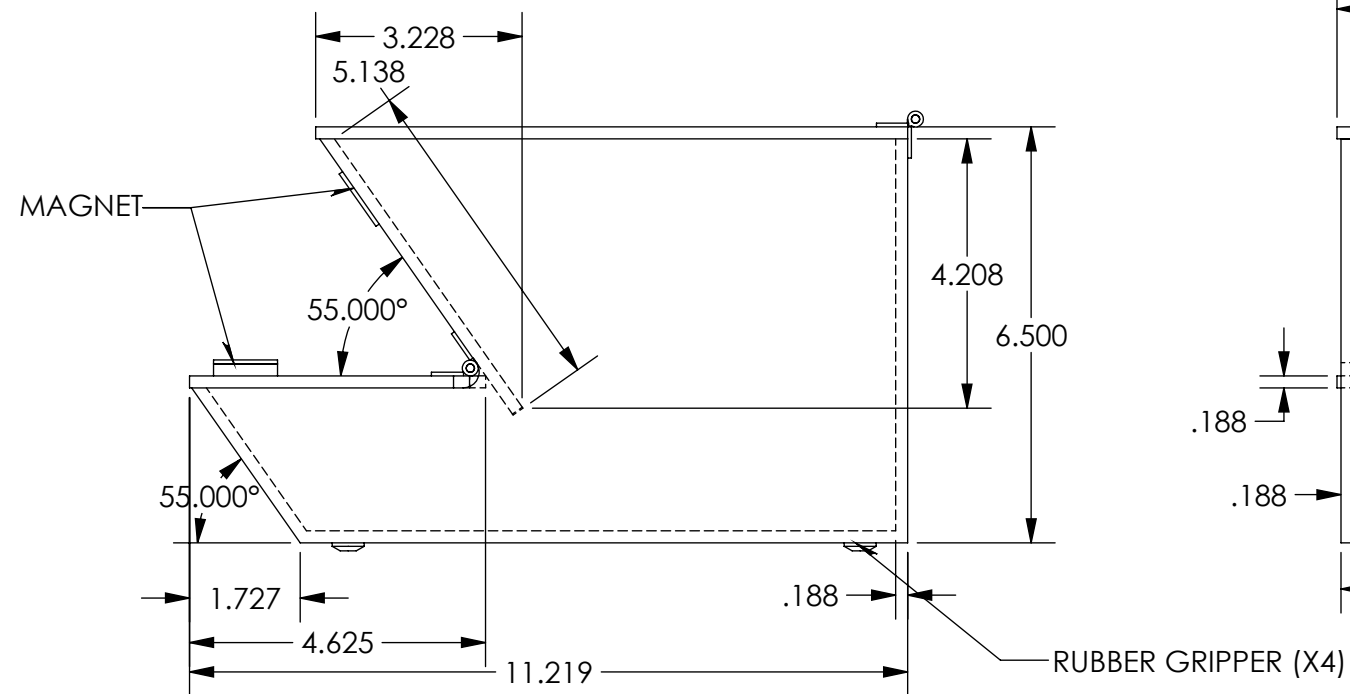
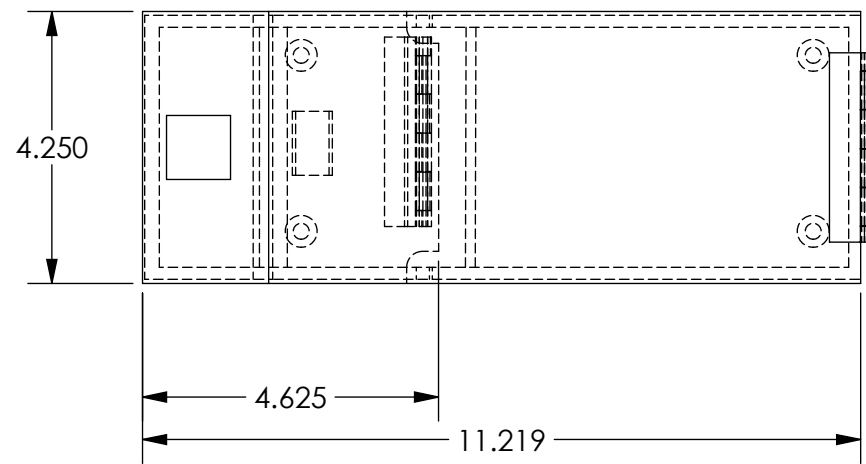



The information contained in this document is the sole property of Creative Plastics LLC. Any reproduction, in part or as a whole without the written permission of Creative Plastics LLC is strictly prohibited.



CUT LENGTH:	
MATERIAL:	ACRYLIC
COLOR:	CLEAR
PART THICKNESS:	.1875"
NOTES:	APPLY MAGNET & RUBBER GRIPS ON BOTTOM

REVISIONS			
REV.	DESCRIPTION	DATE	ECR No.
0	RELEASED FOR PRODUCTION	-	

DIMENSIONS IN PARENTHESES ARE FOR REFERENCE ONLY		DESIGN: WH	ENG.	DATE 09/01/2011	 Creative Plastics LLC WWW.CREATIVEPLASTICSLLC.COM 1039 Willowdale Rd. NW Dalton, GA 30720
ENCIRCLED DIMENSIONS ARE CRITICAL TO QUALITY		AREA:	SCALE: NTS	SIZE: A	
UNLESS OTHERWISE SPECIFIED: DIM. ARE IN INCHES, ANGULAR TOL. = ±1° LINEAR = ±.032" FRACTIONS = ±1/32		DIE NUMBER	QUOTE NUMBER		
INTERPRET DIM. & TOL. PER ASME Y14.5M - 1994		ITEM DESCRIPTION CANY BIN			
		PART NUMBER FAB-CANDY BIN-1001			REV.