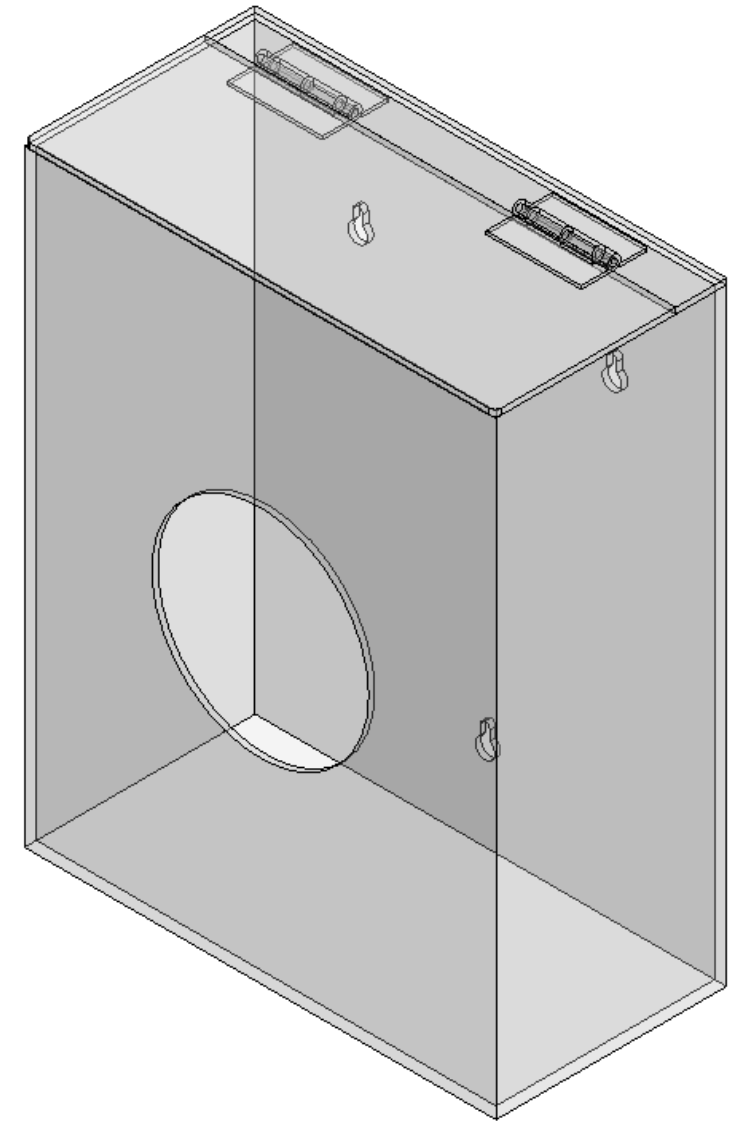
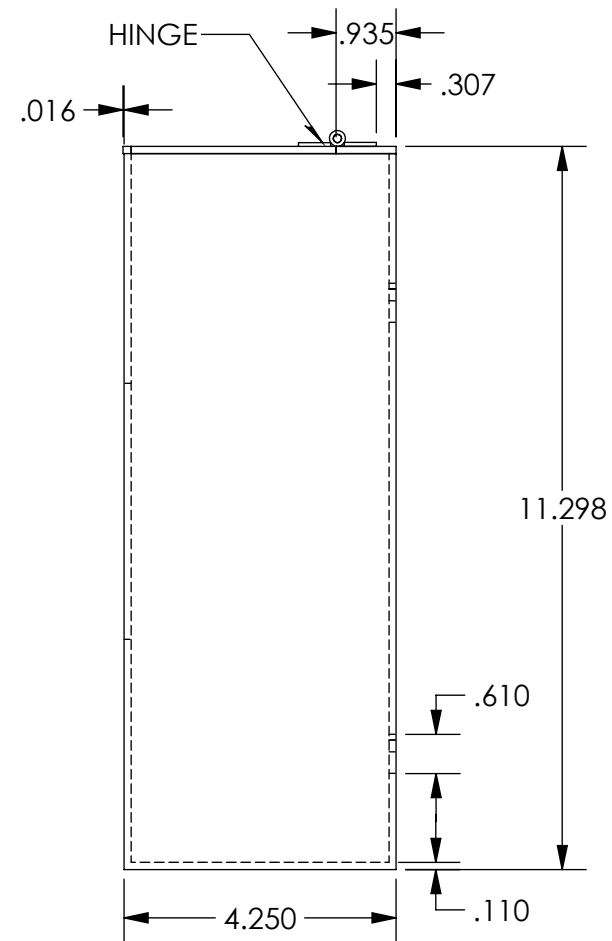
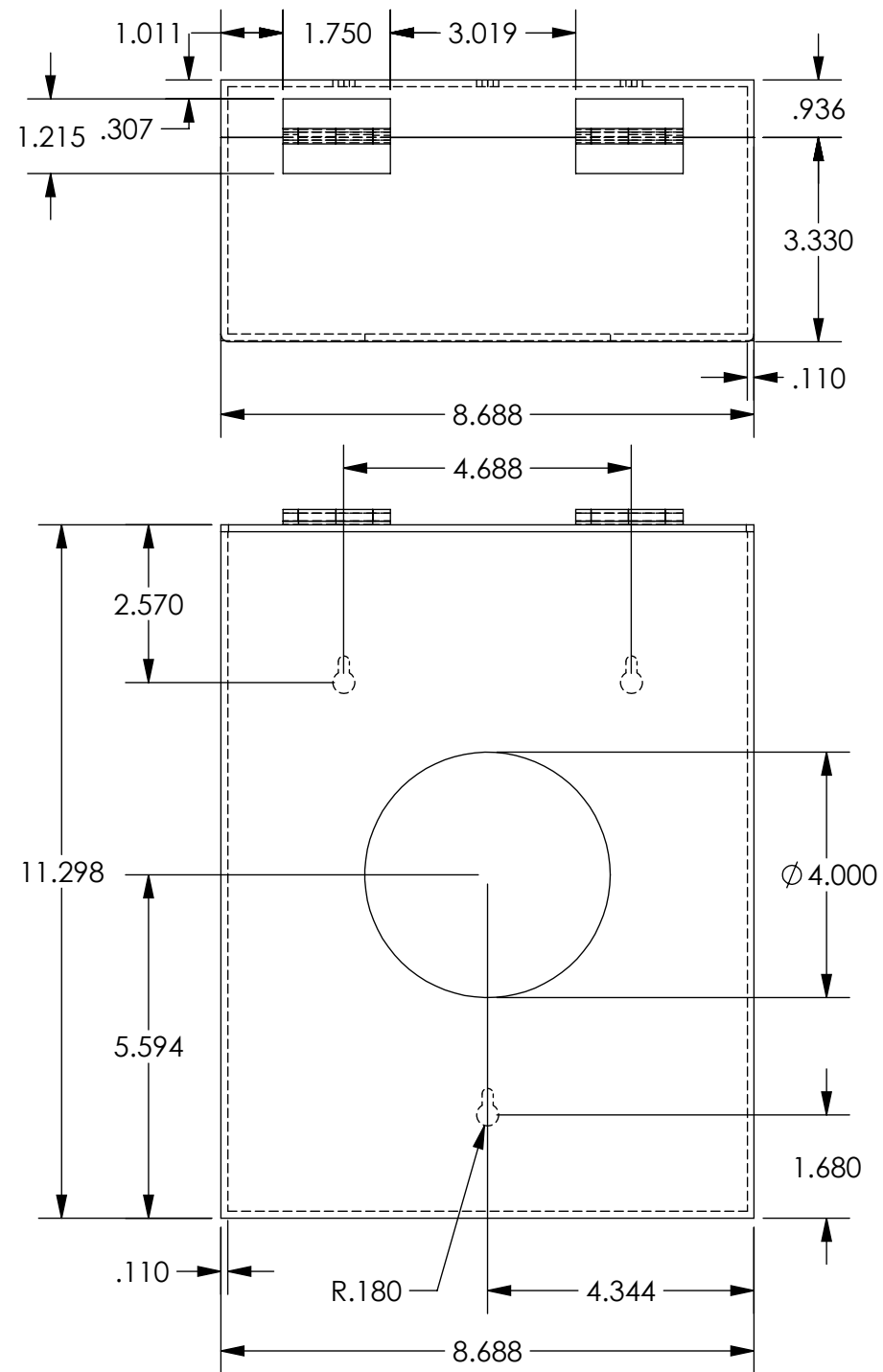



The information contained in this document is the sole property of Creative Plastics LLC. Any reproduction, in part or as a whole without the written permission of Creative Plastics LLC is strictly prohibited.



| | |
|-----------------|-------------|
| CUT LENGTH: | SEE DRAWING |
| MATERIAL: | ACRYLIC |
| COLOR: | CLEAR |
| PART THICKNESS: | .110" |
| NOTES: | N/A |

| REVISIONS | | | |
|-----------|-------------------------|------|---------|
| REV. | DESCRIPTION | DATE | ECR No. |
| 0 | RELEASED FOR PRODUCTION | - | |

| | | | | |
|--|------------------|--------------|------------|--|
| DIMENSIONS IN PARENTHESES ARE FOR REFERENCE ONLY | DESIGN: | ENG. | DATE |  Creative Plastics LLC WWW.CREATIVEPLASTICSLLC.COM 1039 Willowdale Rd. NW Dalton, GA 30720 |
| | WH | | 07/13/2011 | |
| ENCIRCLED DIMENSIONS ARE CRITICAL TO QUALITY | AREA: | SCALE: | SIZE: | |
| | | NTS | A | |
| UNLESS OTHERWISE SPECIFIED: DIM. ARE IN INCHES, ANGULAR TOL. = ±1° LINEAR = ±.032" FRACTIONS = ±1/32 | DIE NUMBER | QUOTE NUMBER | | |
| | ITEM DESCRIPTION | | | |
| INTERPRET DIM. & TOL. PER ASME Y14.5M - 1994 | HAIRNET DISPLAY | | | |
| | PART NUMBER | FAB-HND-1 | | REV. |