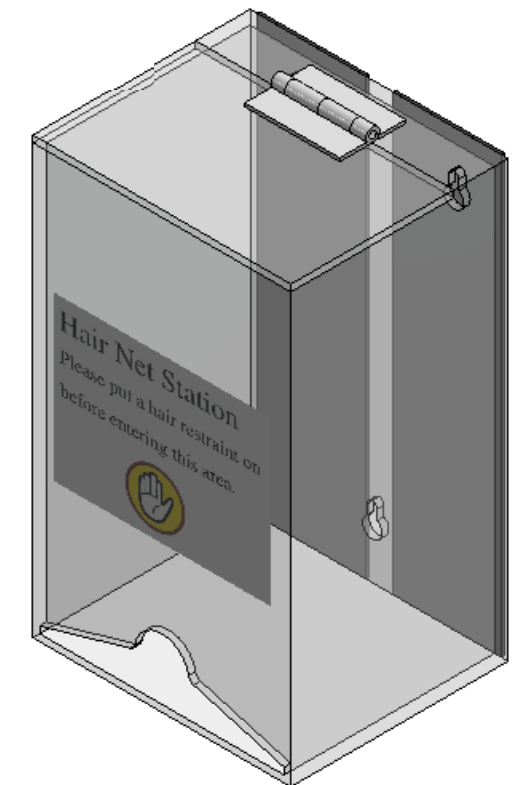
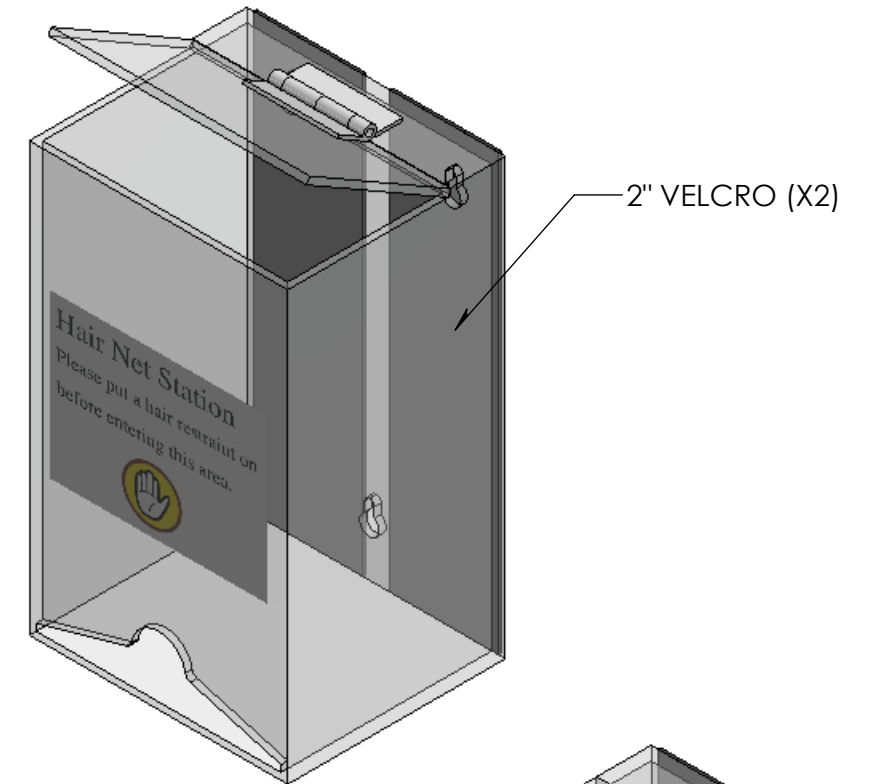
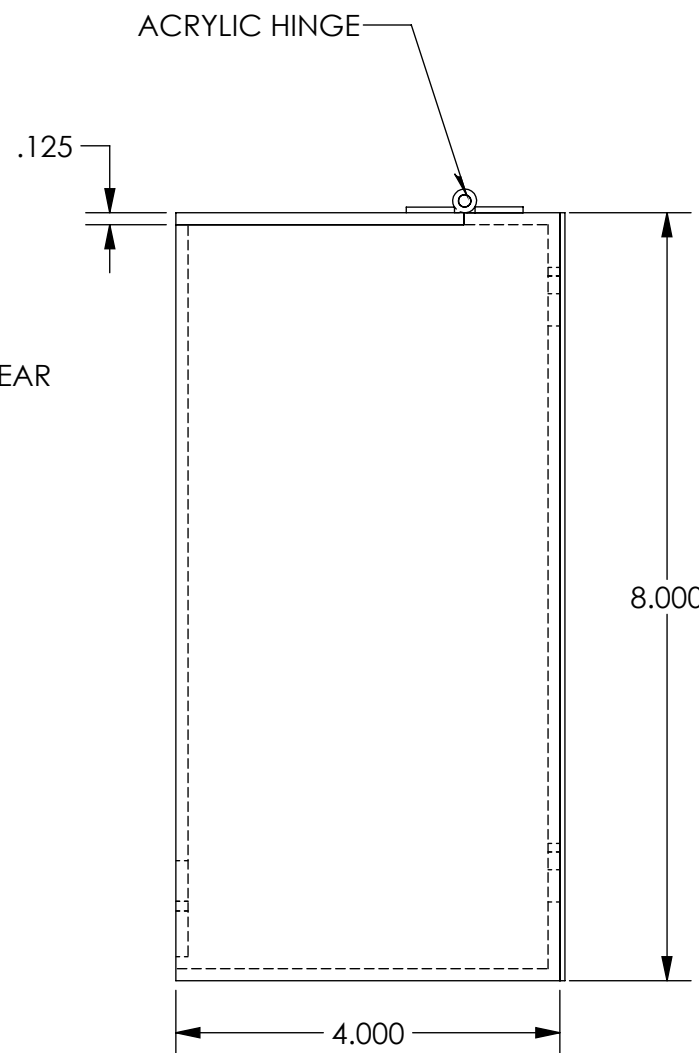
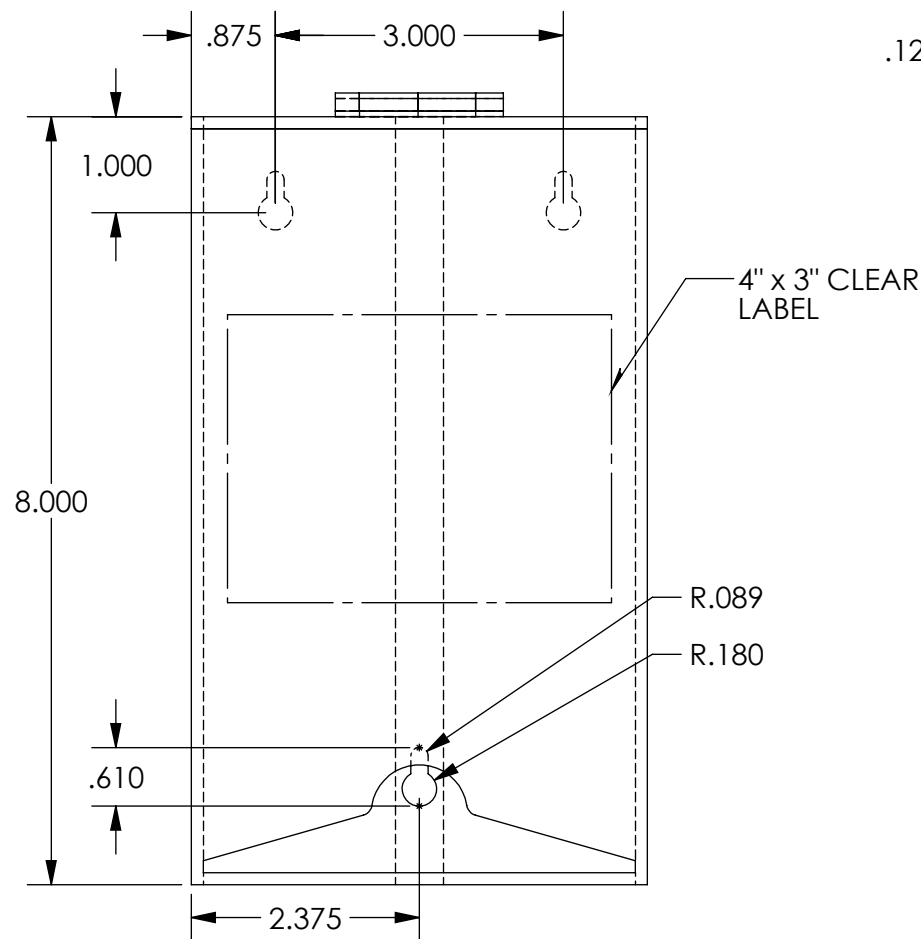
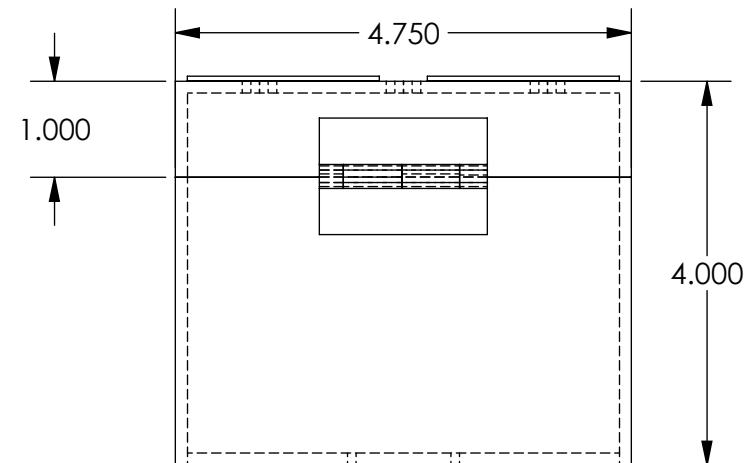



The information contained in this document is the sole property of Creative Plastics LLC. Any reproduction, in part or as a whole without the written permission of Creative Plastics LLC is strictly prohibited.



CUT LENGTH:	
MATERIAL:	ACRYLIC
COLOR:	CLEAR
PART THICKNESS:	.125"
NOTES:	N/A

REVISIONS			
REV.	DESCRIPTION	DATE	ECR No.
0	RELEASED FOR PRODUCTION	-	

DIMENSIONS IN PARENTHESES ARE FOR REFERENCE ONLY	DESIGN:	ENG.	DATE	 <b>Creative Plastics LLC</b> WWW.CREATIVEPLASTICSLLC.COM 1039 Willowdale Rd. NW Dalton, GA 30720
	WH		8/2/2012	
ENCIRCLED DIMENSIONS ARE CRITICAL TO QUALITY	AREA:	SCALE:	SIZE:	
		NTS	A	
UNLESS OTHERWISE SPECIFIED: DIM. ARE IN INCHES, ANGULAR TOL. = ±1° LINEAR = ±.032" FRACTIONS = ±1/32	DIE NUMBER	QUOTE NUMBER		
INTERPRET DIM. & TOL. PER ASME Y14.5M - 1994	ITEM DESCRIPTION			
	HAIR NET DISPLAY			
	PART NUMBER	REV.		
	FAB-HND-2			