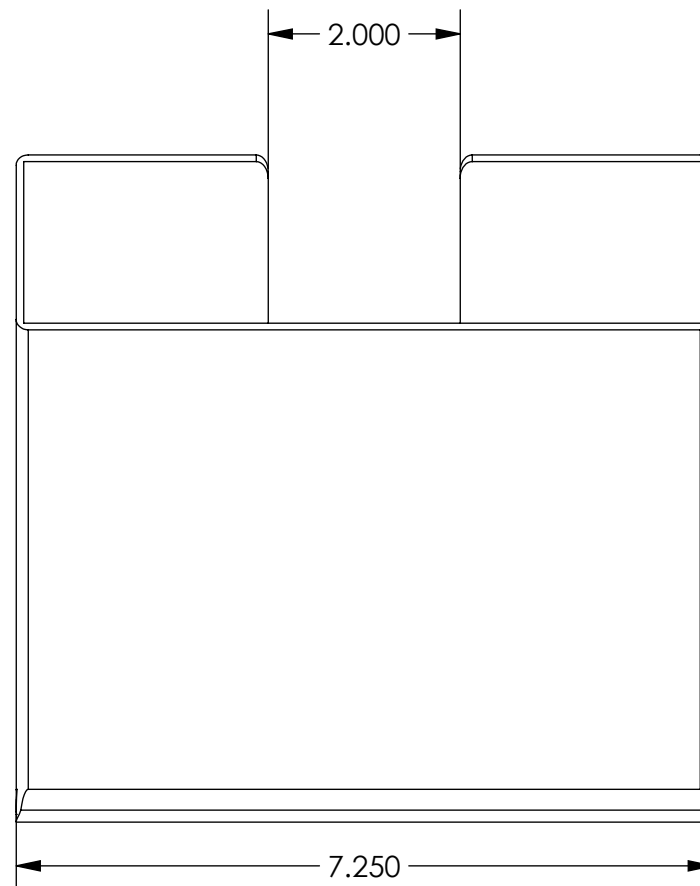
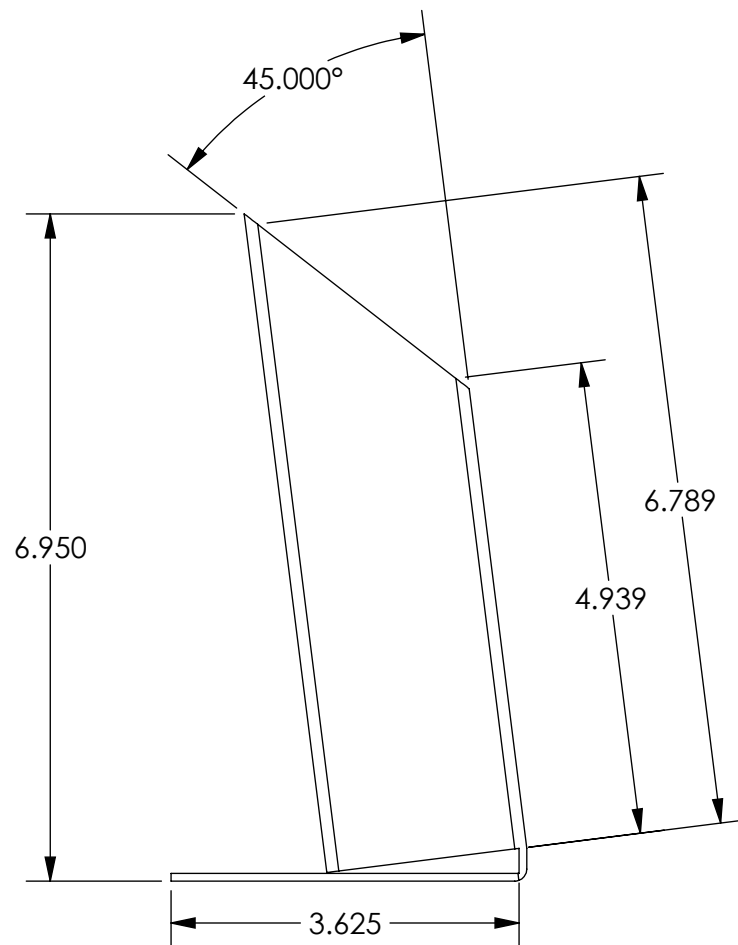
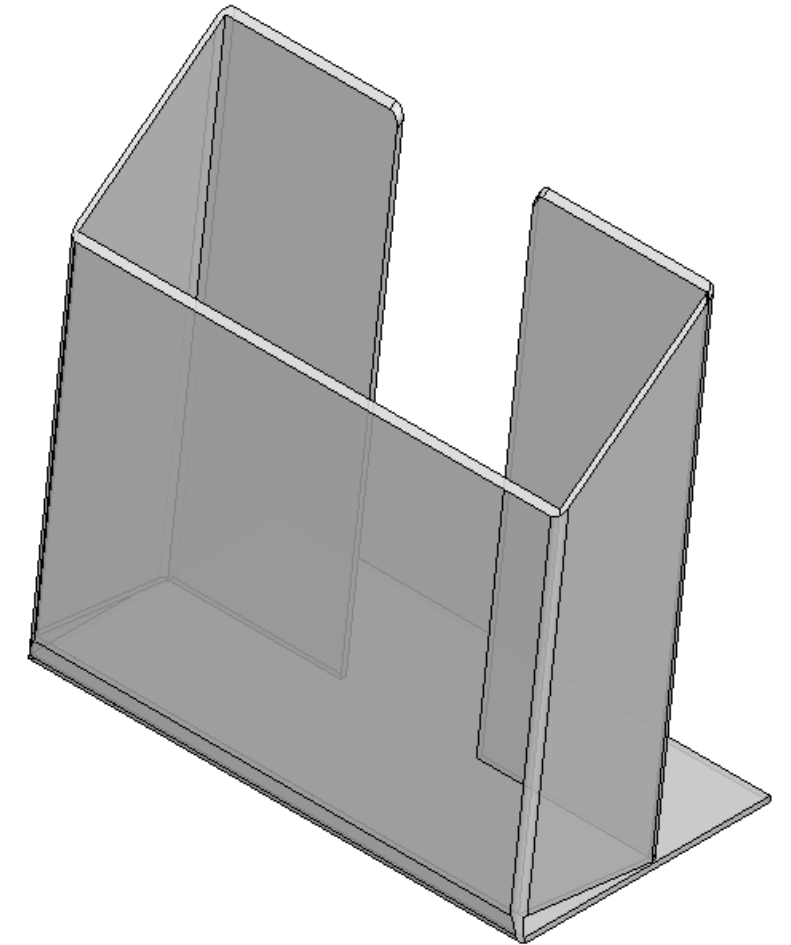
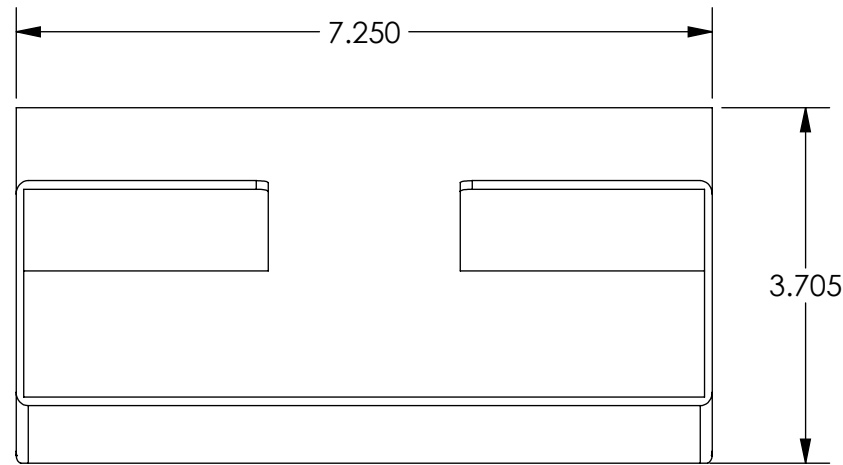



The information contained in this document is the sole property of Creative Plastics LLC. Any reproduction, in part or as a whole without the written permission of Creative Plastics LLC is strictly prohibited.



CUT LENGTH:	
MATERIAL:	ACRYLIC
COLOR:	CLEAR
PART THICKNESS:	.080"
NOTES:	N/A

REVISIONS			
REV.	DESCRIPTION	DATE	ECR No.
0	RELEASED FOR PRODUCTION	-	

DIMENSIONS IN PARENTHESES ARE FOR REFERENCE ONLY ENCIRCLED DIMENSIONS ARE CRITICAL TO QUALITY UNLESS OTHERWISE SPECIFIED: DIM. ARE IN INCHES, ANGULAR TOL. = $\pm 1^\circ$ LINEAR = $\pm .032$ " FRACTIONS = $\pm 1/32$ INTERPRET DIM. & TOL. PER ASME Y14.5M - 1994	DESIGN:	ENG.	DATE	 Creative Plastics LLC WWW.CREATIVEPLASTICSLLC.COM 1039 Willowdale Rd. NW Dalton, GA 30720
	WH		04/12/2012	
	AREA:		SCALE:	SIZE:
			NTS	A
	DIE NUMBER		QUOTE NUMBER	
	ITEM DESCRIPTION			
	7-1/4" X 2" LIT HOLDER			
	PART NUMBER			REV.
	FAB-LIT-1002-B			