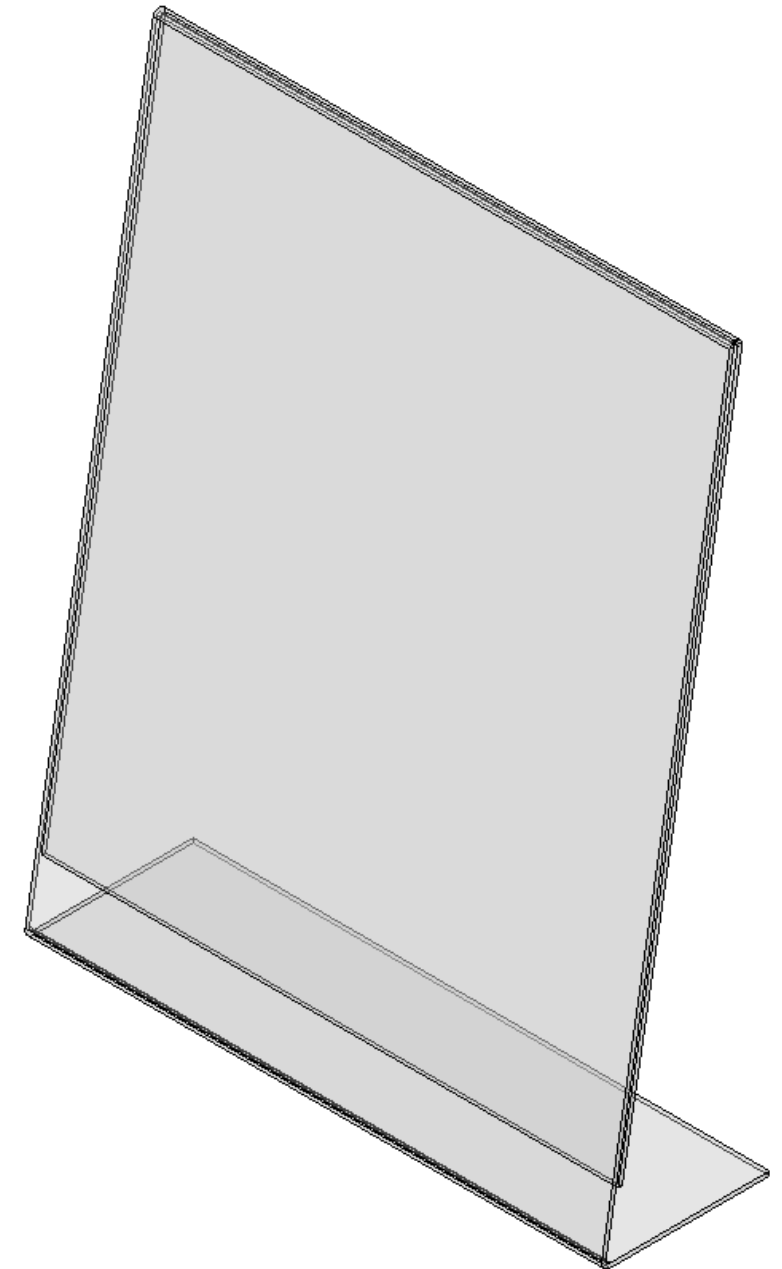
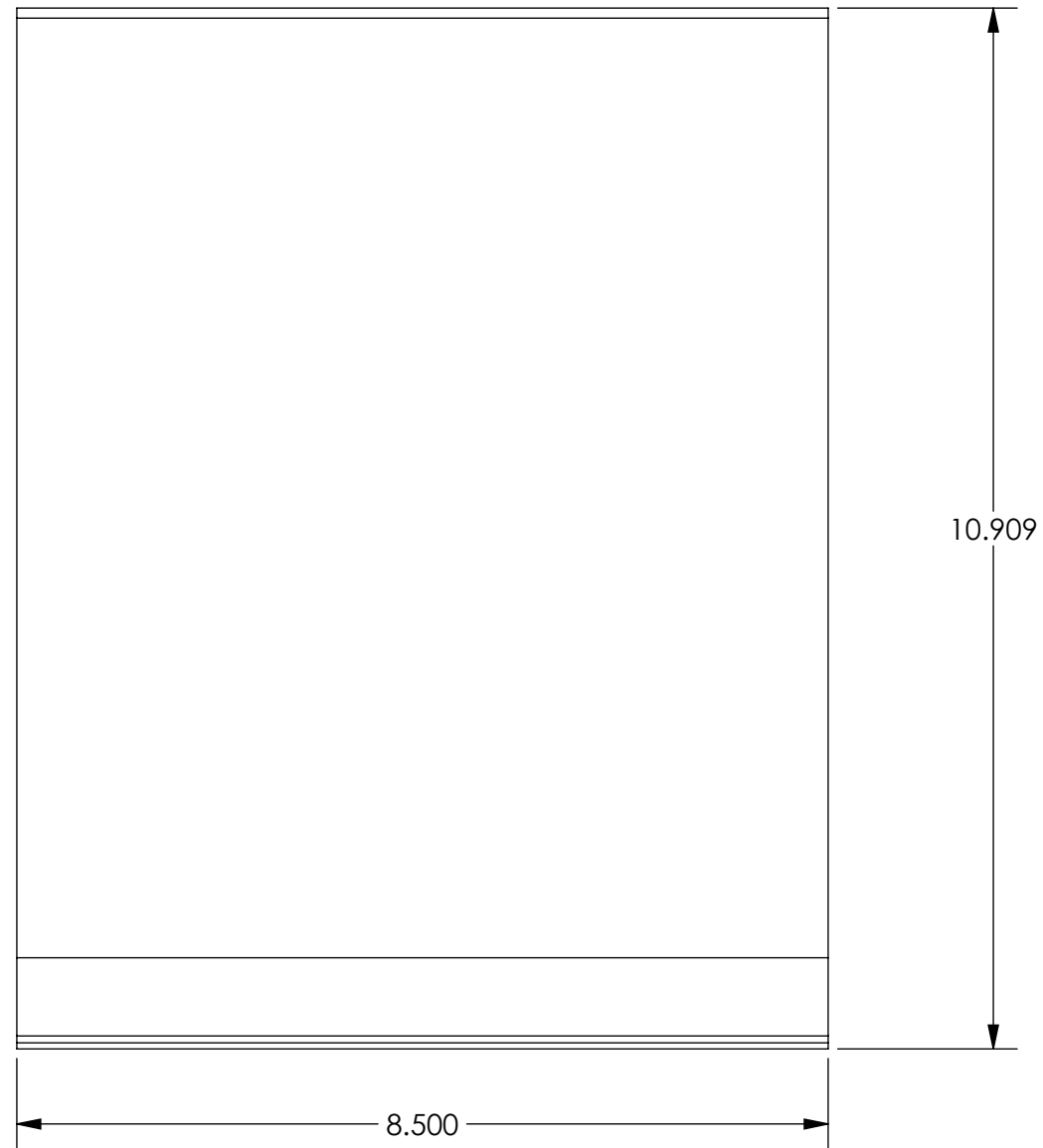
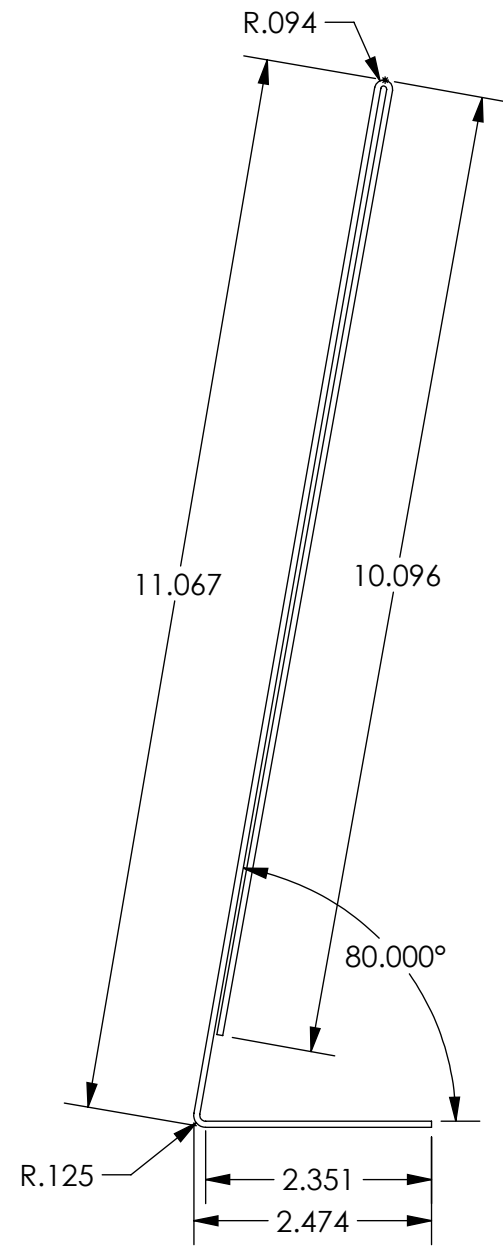



The information contained in this document is the sole property of Creative Plastics LLC. Any reproduction, in part or as a whole without the written permission of Creative Plastics LLC is strictly prohibited.



CUT LENGTH:	N/A
MATERIAL:	ACRYLIC
COLOR:	CLEAR
PART THICKNESS:	.0625"
NOTES:	80° BEND

REVISIONS			
REV.	DESCRIPTION	DATE	ECR No.
0	RELEASED FOR PRODUCTION	-	

DIMENSIONS IN PARENTHESES ARE FOR REFERENCE ONLY ENCIRCLED DIMENSIONS ARE CRITICAL TO QUALITY UNLESS OTHERWISE SPECIFIED: DIM. ARE IN INCHES, ANGULAR TOL. = ±1° LINEAR = ±.032" FRACTIONS = ±1/32 INTERPRET DIM. & TOL. PER ASME Y14.5M - 1994	DESIGN:	ENG.	DATE	 Creative Plastics LLC WWW.CREATIVEPLASTICSLLC.COM 1039 Willowdale Rd. NW Dalton, GA 30720
	WH		8/15/2011	
	AREA:		SCALE:	SIZE:
			NTS	A
	DIE NUMBER		QUOTE NUMBER	
	ITEM DESCRIPTION			
	8.5" X 11" LITERATURE EASEL			
	PART NUMBER			REV.
	FAB-LIT-1003			