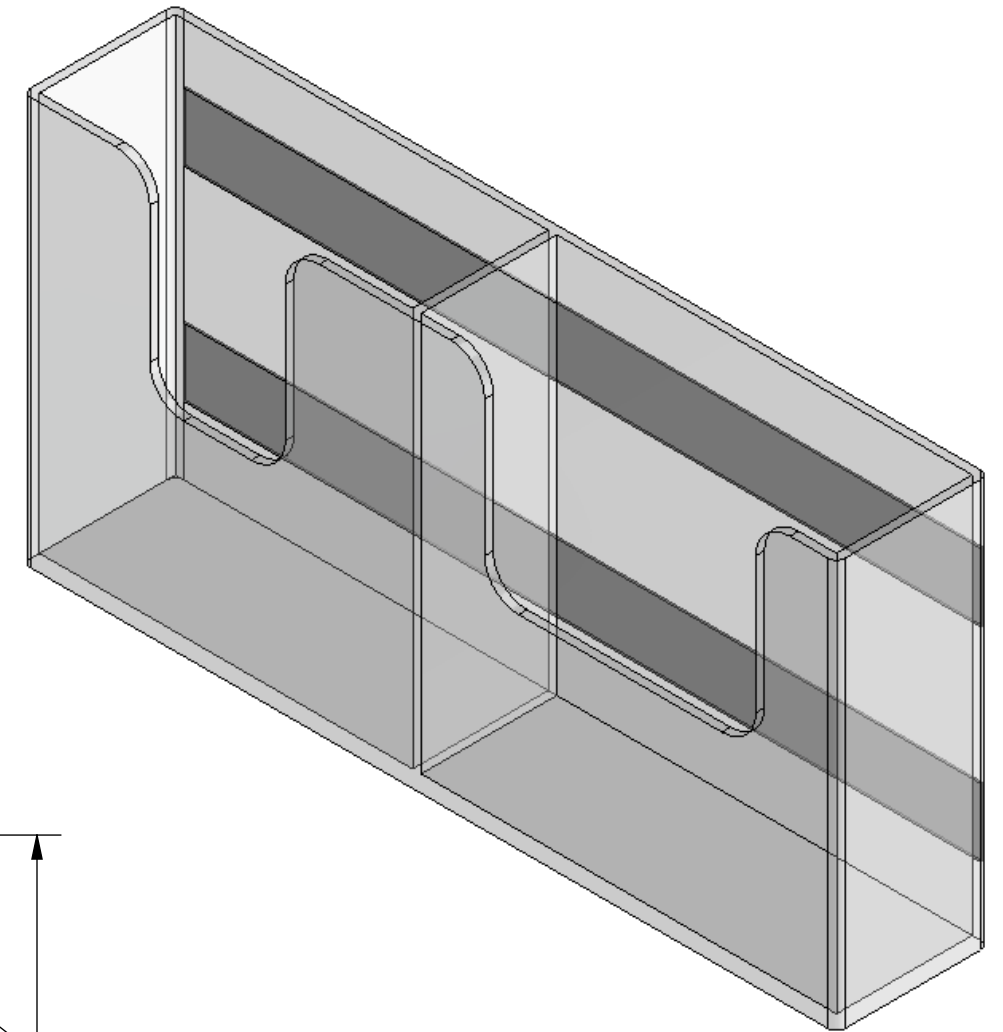
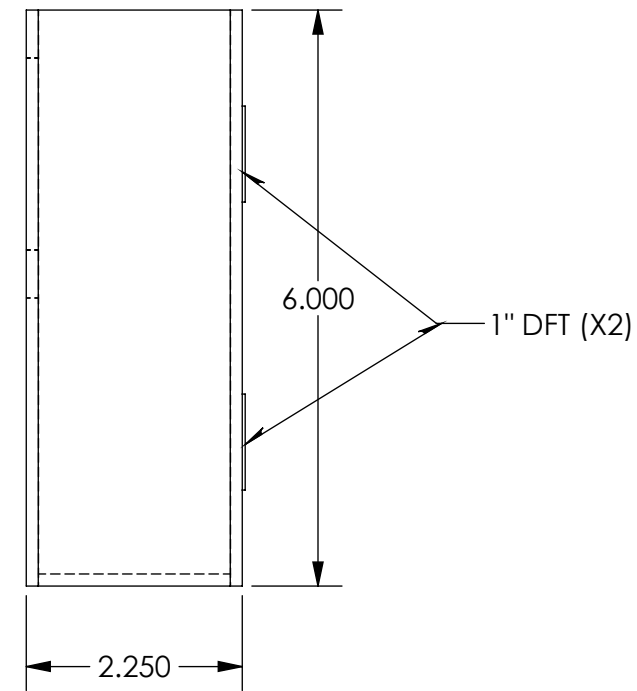
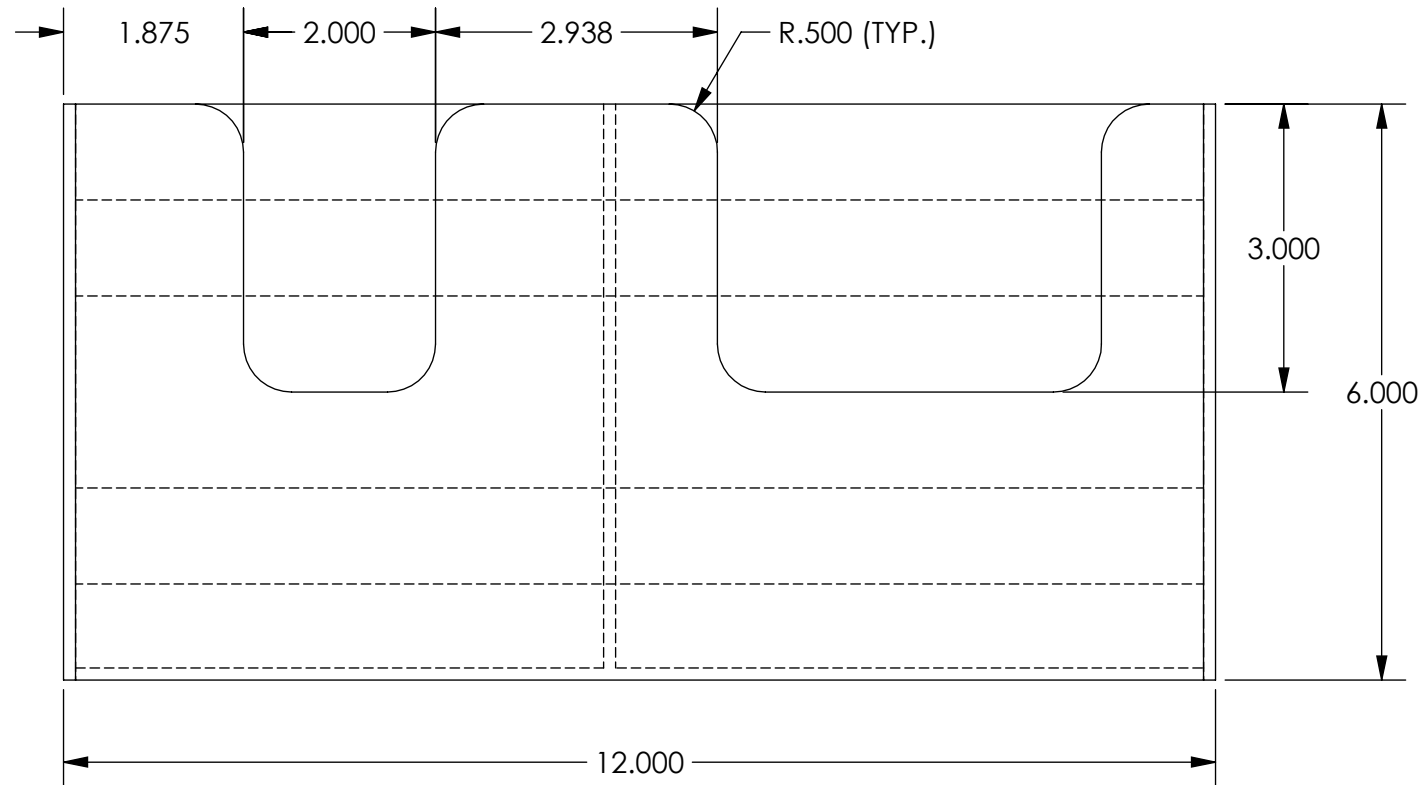
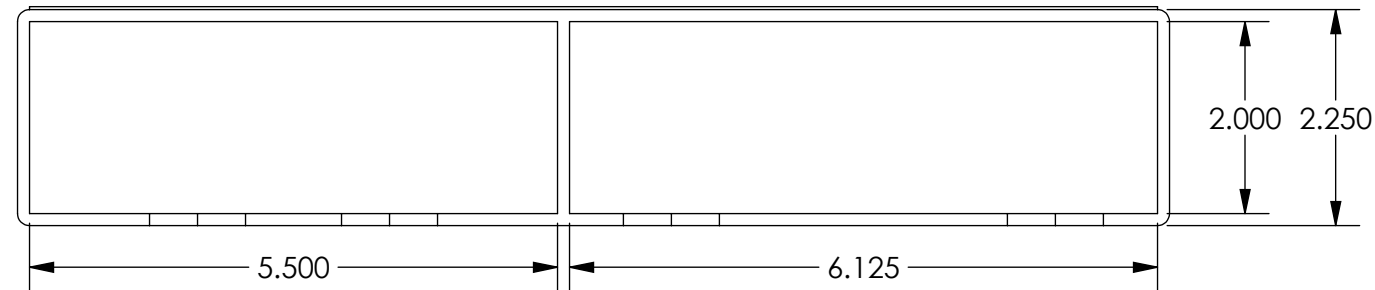



The information contained in this document is the sole property of Creative Plastics LLC. Any reproduction, in part or as a whole without the written permission of Creative Plastics LLC is strictly prohibited.



CUT LENGTH:	
MATERIAL:	ACRYLIC
COLOR:	CLEAR
PART THICKNESS:	.125"
NOTES:	

DIMENSIONS IN PARENTHESES ARE FOR REFERENCE ONLY	DESIGN:	ENG.	DATE	 Creative Plastics LLC <small>WWW.CREATIVEPLASTICSLLC.COM</small>
	WH		11/11/2011	
ENCIRCLED DIMENSIONS ARE CRITICAL TO QUALITY	AREA:	SCALE:	SIZE:	<small>1039 Willowdale Rd. NW Dalton, GA 30720</small> <small>706-529-5372</small>
		NTS	A	
UNLESS OTHERWISE SPECIFIED: DIM. ARE IN INCHES, ANGULAR TOL. = $\pm 1^\circ$ LINEAR = $\pm .032$ " FRACTIONS = $\pm 1/32$	DIE NUMBER	QUOTE NUMBER		ITEM DESCRIPTION TRI FOLD & GRAPHIC LIT HOLDER
INTERPRET DIM. & TOL. PER ASME Y14.5M - 1994	PART NUMBER	REV.		SHEET 1 of 1
	FAB-LIT-1004			