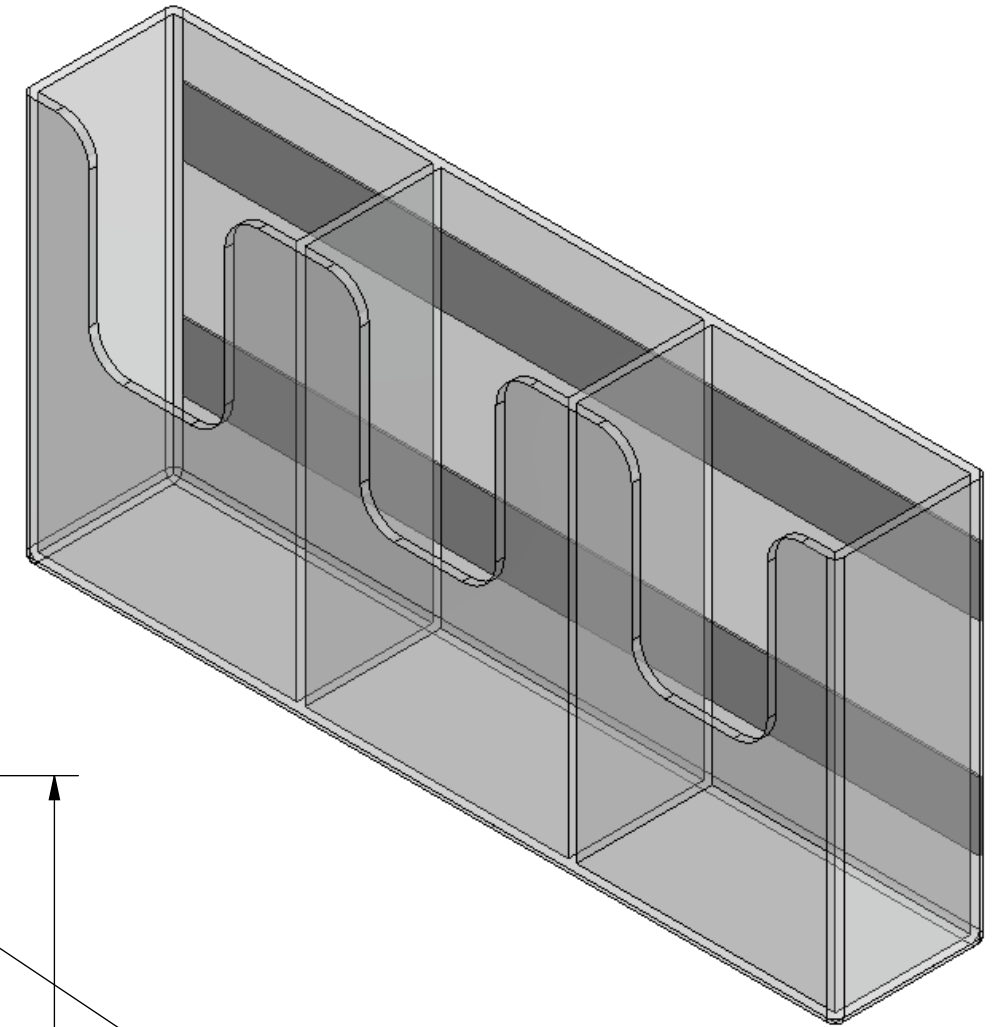
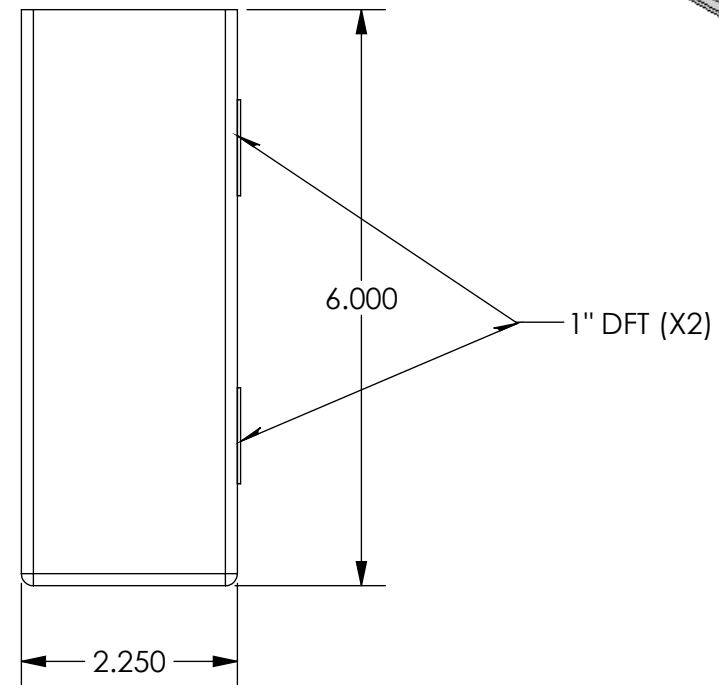
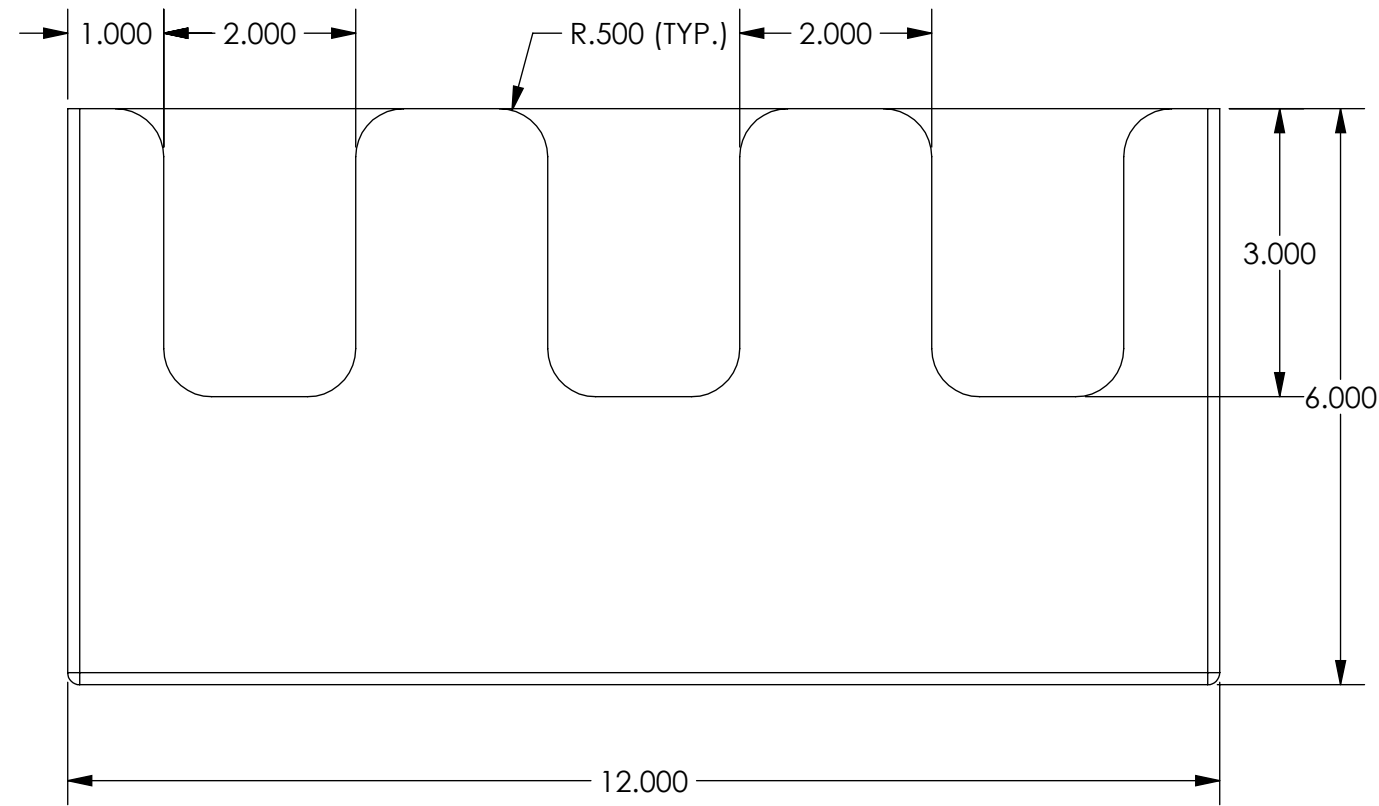
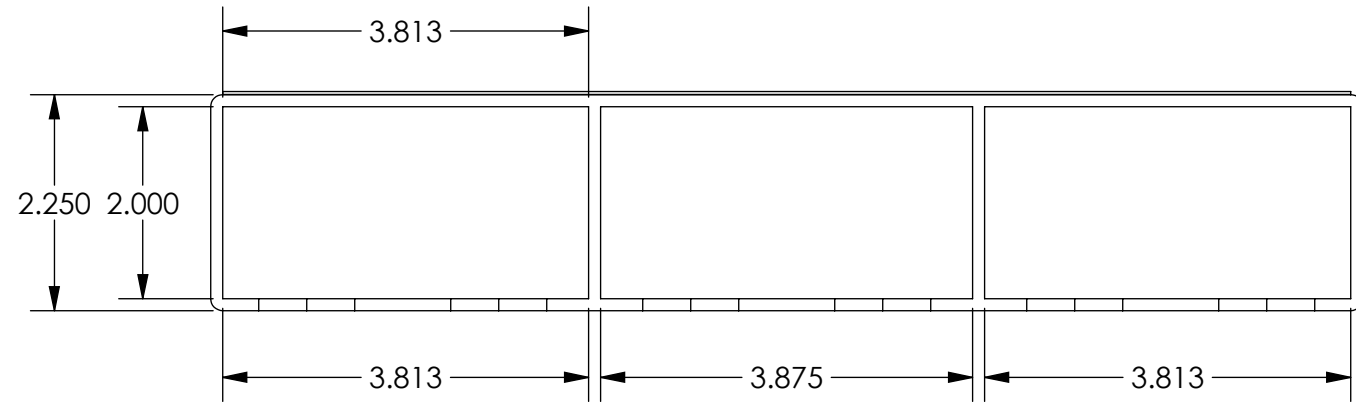


The information contained in this document is the sole property of Creative Plastics LLC. Any reproduction, in part or as a whole without the written permission of Creative Plastics LLC is strictly prohibited.



CUT LENGTH:	
MATERIAL:	ACRYLIC
COLOR:	CLEAR
PART THICKNESS:	.125"
NOTES:	

REVISIONS			
REV.	DESCRIPTION	DATE	ECR No.
0	RELEASED FOR PRODUCTION	-	

DIMENSIONS IN PARENTHESES ARE FOR REFERENCE ONLY		DESIGN: WH	ENG.	DATE 11/11/2011
ENCIRCLED DIMENSIONS ARE CRITICAL TO QUALITY		AREA:	SCALE: NTS	SIZE: A
UNLESS OTHERWISE SPECIFIED: DIM. ARE IN INCHES, ANGULAR TOL. = $\pm 1^\circ$ LINEAR = $\pm .032$ " FRACTIONS = $\pm 1/32$		DIE NUMBER	QUOTE NUMBER	
INTERPRET DIM. & TOL. PER ASME Y14.5M - 1994		ITEM DESCRIPTION TRI FOLD LIT HOLDER		
PART NUMBER FAB-LIT-1005			REV.	

