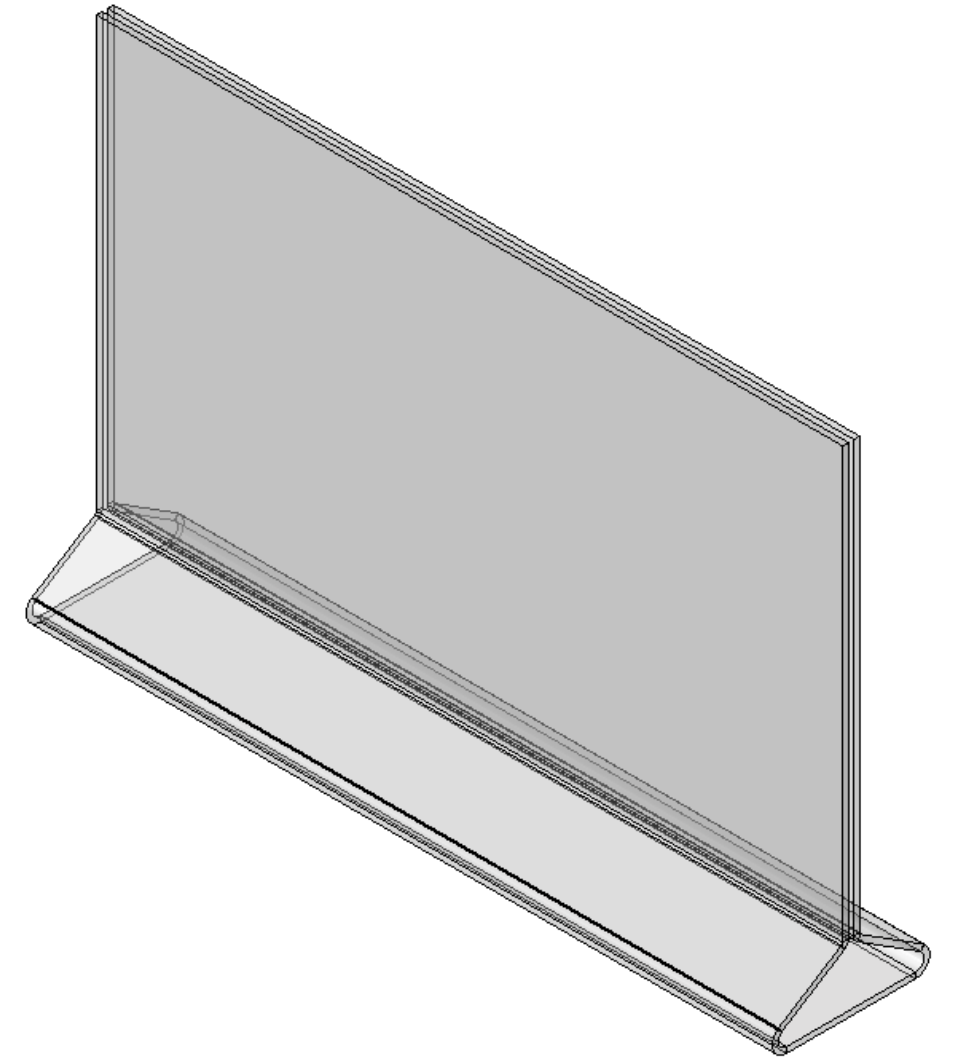
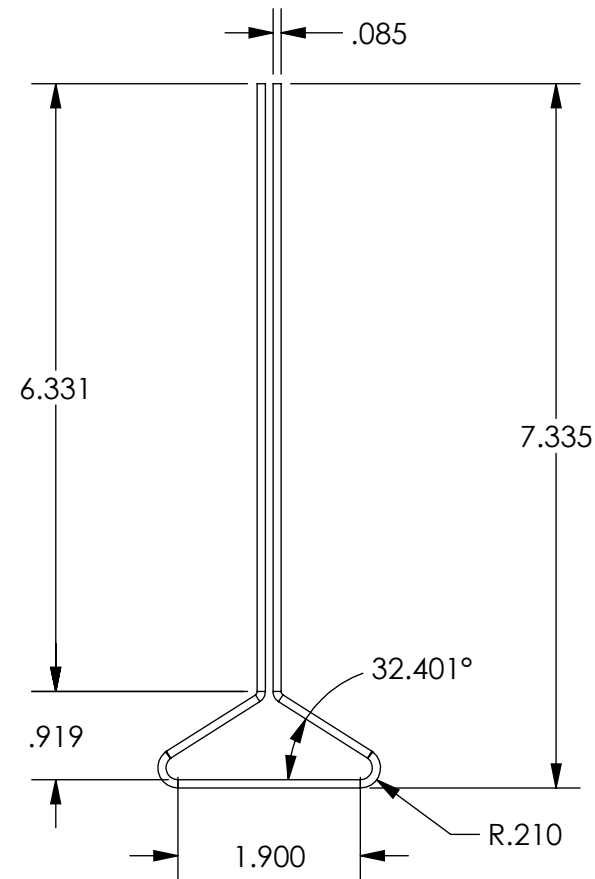
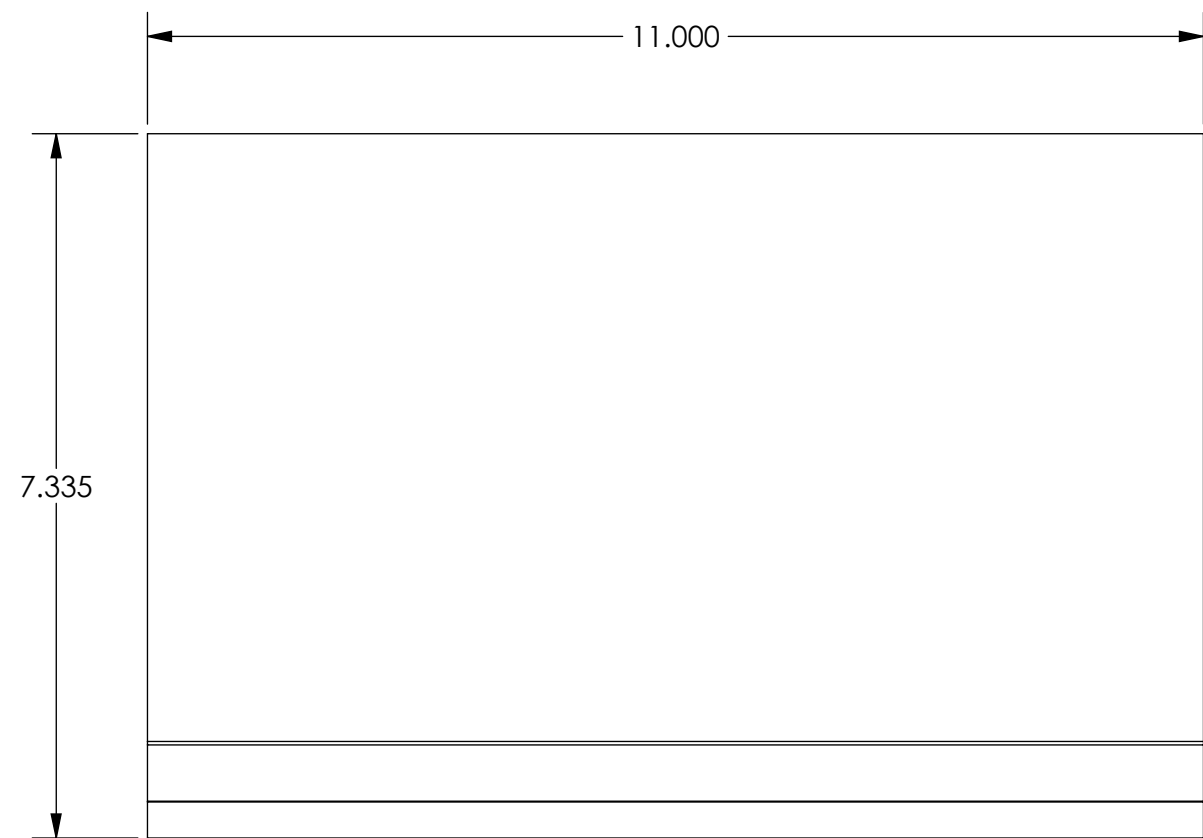
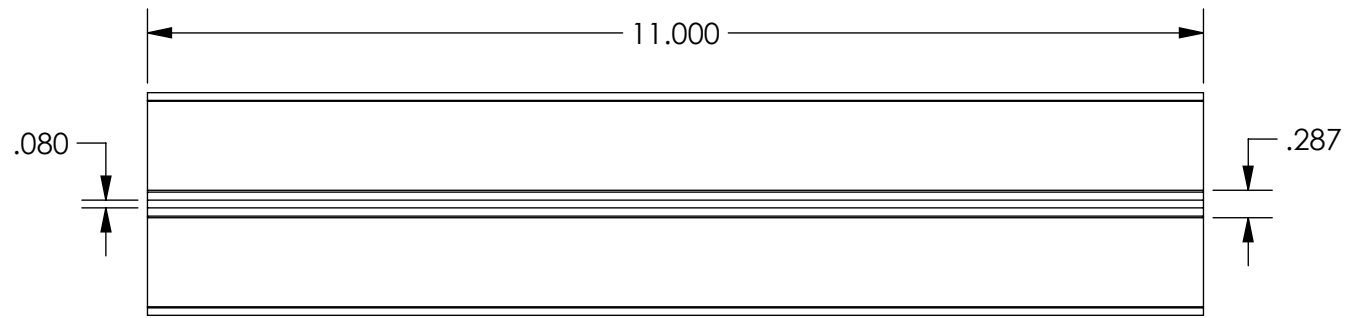



The information contained in this document is the sole property of Creative Plastics LLC. Any reproduction, in part or as a whole without the written permission of Creative Plastics LLC is strictly prohibited.



CUT LENGTH:	11.000"
MATERIAL:	ACRYLIC
COLOR:	CLEAR
PART THICKNESS:	.080"
NOTES:	BCF - 00931.0011

REVISIONS			
REV.	DESCRIPTION	DATE	ECR No.
0	RELEASED FOR PRODUCTION	-	

DIMENSIONS IN PARENTHESES ARE FOR REFERENCE ONLY	DESIGN:	ENG.	DATE	 Creative Plastics LLC WWW.CREATIVEPLASTICSLLC.COM 1039 Willowdale Rd. NW Dalton, GA 30720
	WH		10/11/2011	
ENCIRCLED DIMENSIONS ARE CRITICAL TO QUALITY	AREA:	SCALE:	SIZE:	
		NTS	A	
UNLESS OTHERWISE SPECIFIED: DIM. ARE IN INCHES, ANGULAR TOL. = ±1° LINEAR = ±.032" FRACTIONS = ±1/32	DIE NUMBER	QUOTE NUMBER		
INTERPRET DIM. & TOL. PER ASME Y14.5M - 1994	ITEM DESCRIPTION		PART NUMBER	REV.
	7" X 11" FLATBASE SIGN HOLDER		FAB-LIT-1006	

SHEET 1 of 1