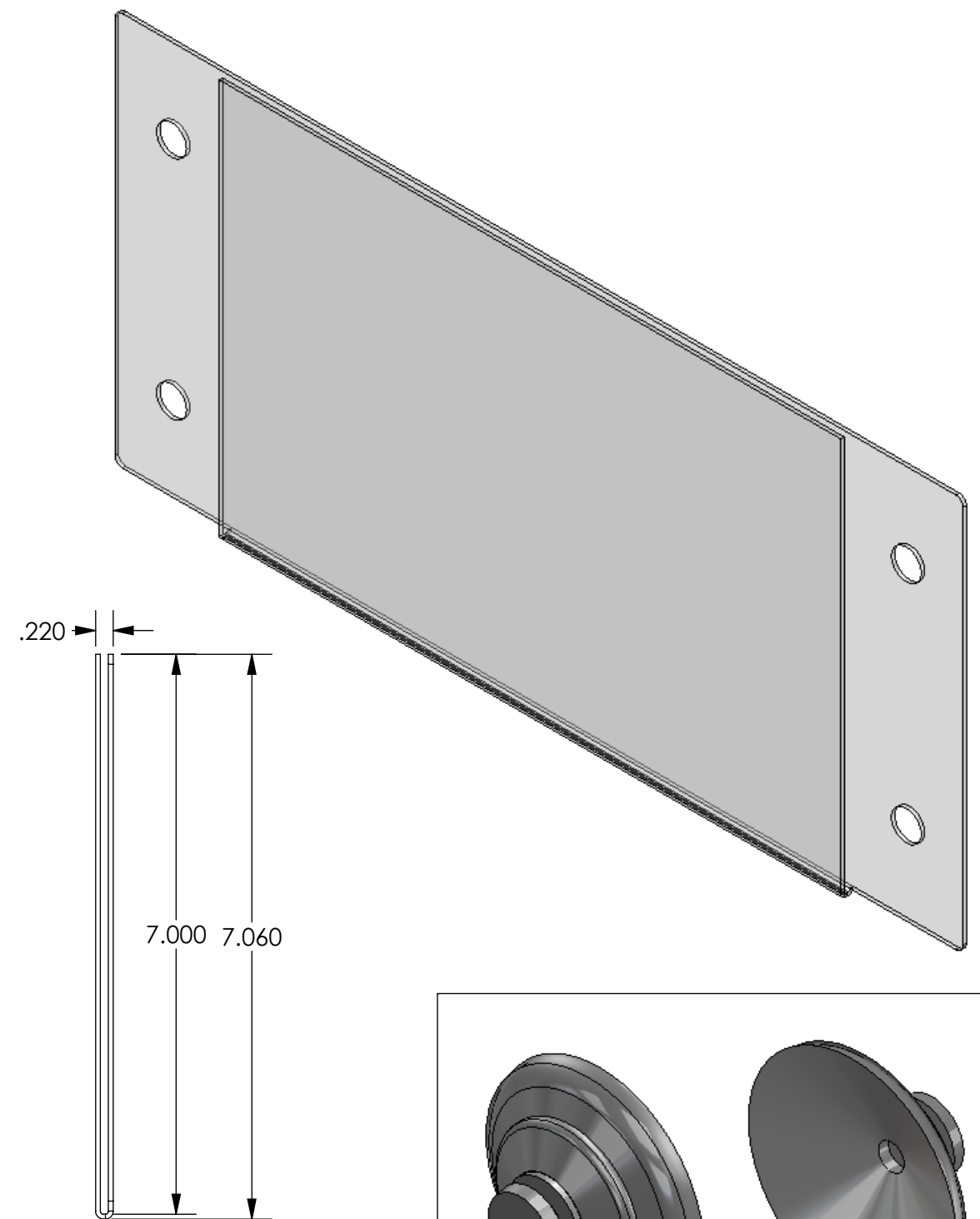
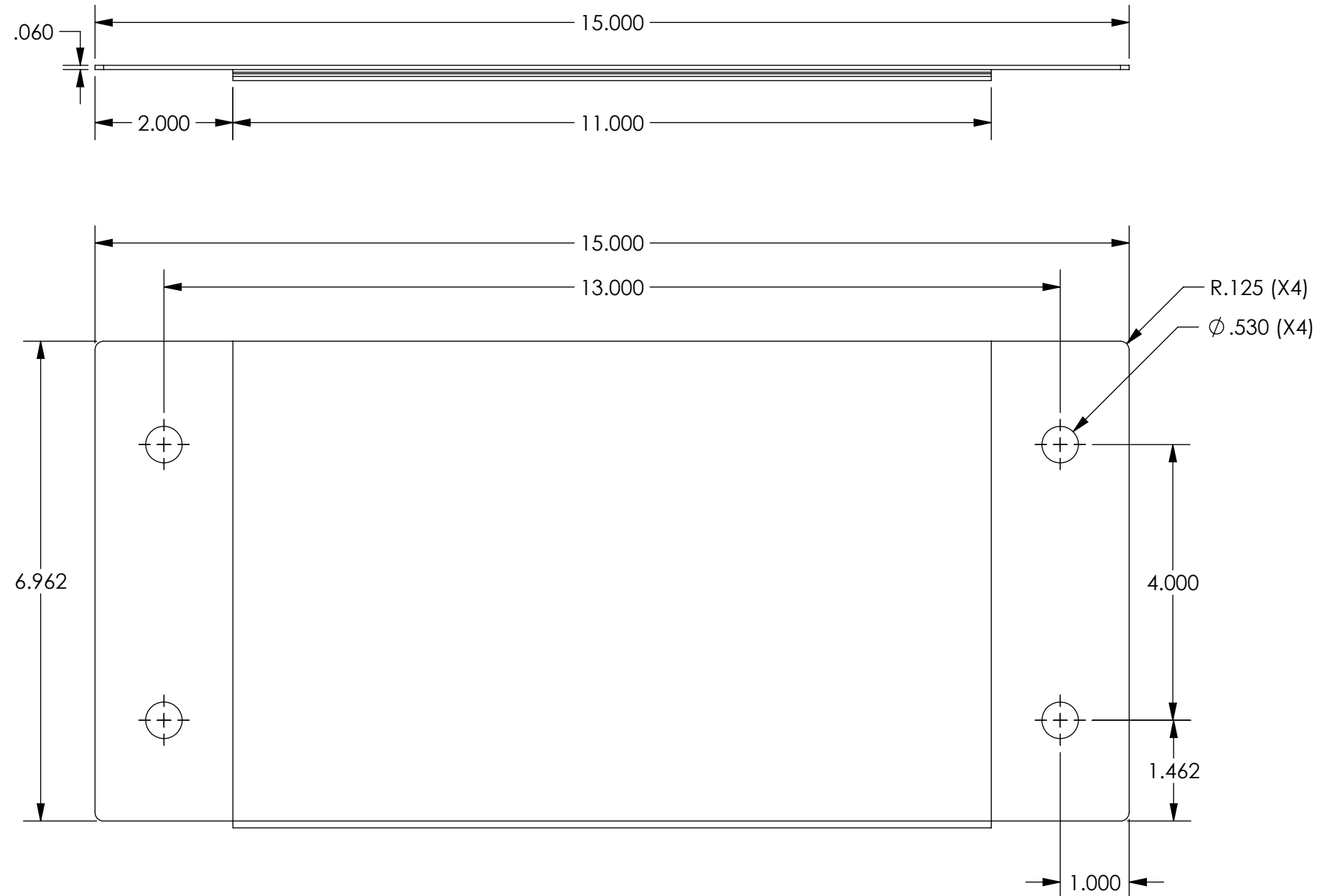



The information contained in this document is the sole property of Creative Plastics LLC. Any reproduction, in part or as a whole without the written permission of Creative Plastics LLC is strictly prohibited.



CUT LENGTH:	11.000"
MATERIAL:	PETG
COLOR:	CLEAR
PART THICKNESS:	.060"
NOTES:	BCF - 00927.0054

DIMENSIONS IN PARENTHESES ARE FOR REFERENCE ONLY ENCIRCLED DIMENSIONS ARE CRITICAL TO QUALITY	DESIGN:	ENG.	DATE	 Creative Plastics LLC WWW.CREATIVEPLASTICSLLC.COM 1039 Willowdale Rd. NW Dalton, GA 30720 706-529-5372
	WH		10/11/2011	
UNLESS OTHERWISE SPECIFIED: DIM. ARE IN INCHES, ANGULAR TOL. = $\pm 1^\circ$ LINEAR = $\pm .032$ " FRACTIONS = $\pm 1/32$	AREA:	SCALE:	SIZE:	
		NTS	A	
INTERPRET DIM. & TOL. PER ASME Y14.5M - 1994	DIE NUMBER	QUOTE NUMBER	ITEM DESCRIPTION	
			7" X 11" SIGN HOLDER W/ SUCTION CUPS (X4)	
	PART NUMBER	REV.		
	FAB-LIT-1007			