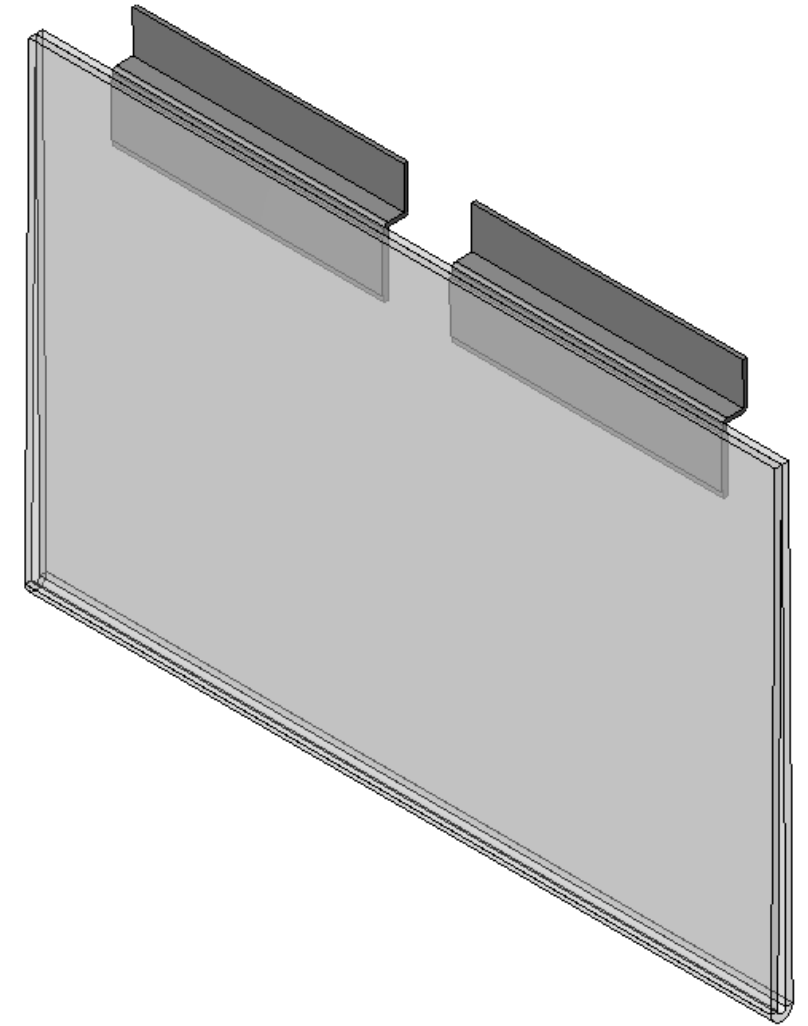
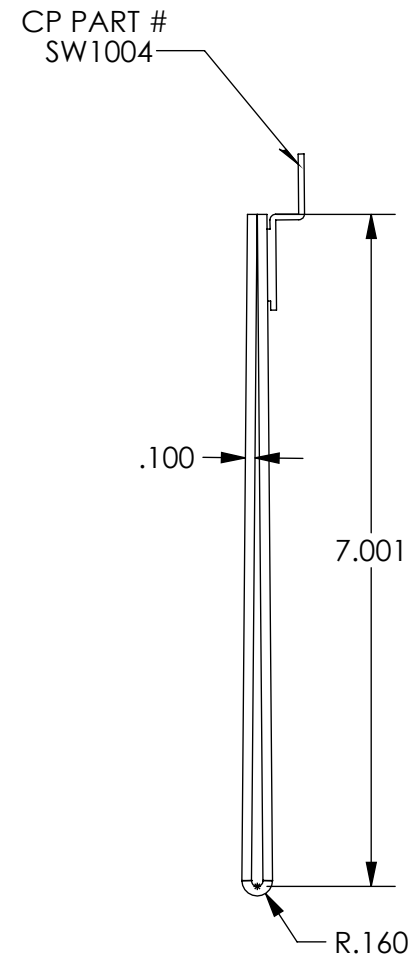
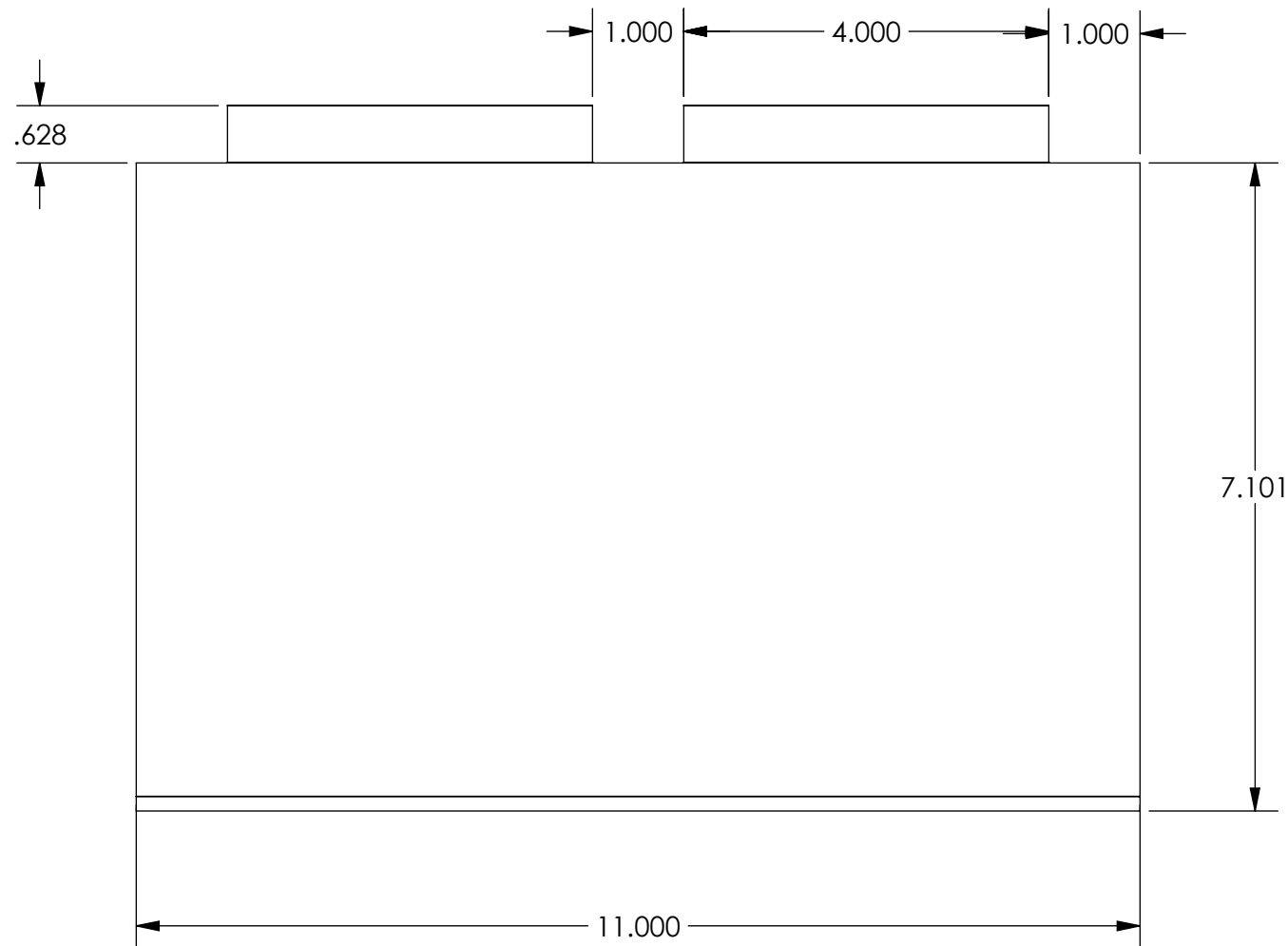
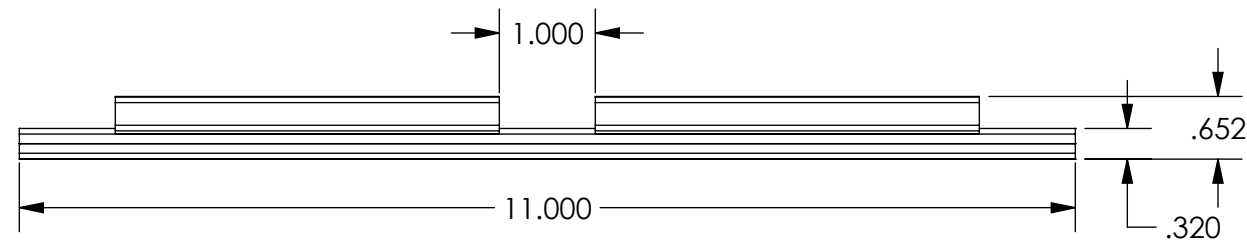



The information contained in this document is the sole property of Creative Plastics LLC. Any reproduction, in part or as a whole without the written permission of Creative Plastics LLC is strictly prohibited.



CUT LENGTH:	11.000"
MATERIAL:	ACRYLIC
COLOR:	CLEAR
PART THICKNESS:	.090"
NOTES:	BCF - 00927.0031

DIMENSIONS IN PARENTHESES ARE FOR REFERENCE ONLY	DESIGN:	ENG.	DATE	 Creative Plastics LLC WWW.CREATIVEPLASTICSLLC.COM
	WH		10/11/2011	
ENCIRCLED DIMENSIONS ARE CRITICAL TO QUALITY	AREA:	SCALE:	SIZE:	1039 Willowdale Rd. NW Dalton, GA 30720 706-529-5372
		NTS	A	
UNLESS OTHERWISE SPECIFIED: DIM. ARE IN INCHES, ANGULAR TOL. = $\pm 1^\circ$ LINEAR = $\pm .032$ " FRACTIONS = $\pm 1/32$	DIE NUMBER	QUOTE NUMBER		ITEM DESCRIPTION 7" X 11" SLATWALL SIGN FRAME
INTERPRET DIM. & TOL. PER ASME Y14.5M - 1994	PART NUMBER	REV.		SHEET 1 of 1
	FAB-LIT-1010			