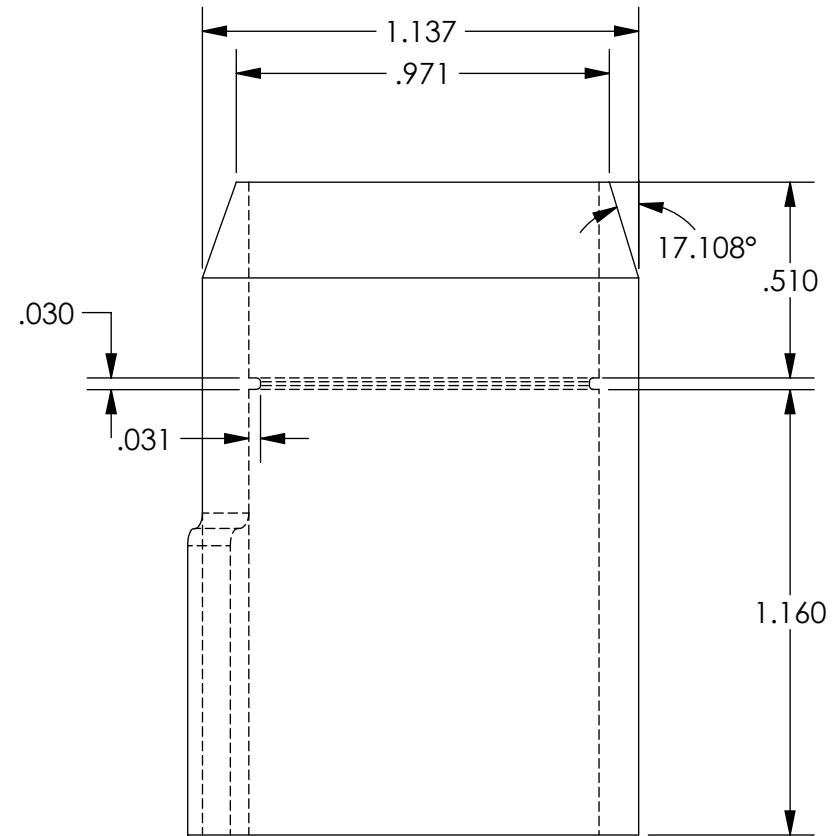
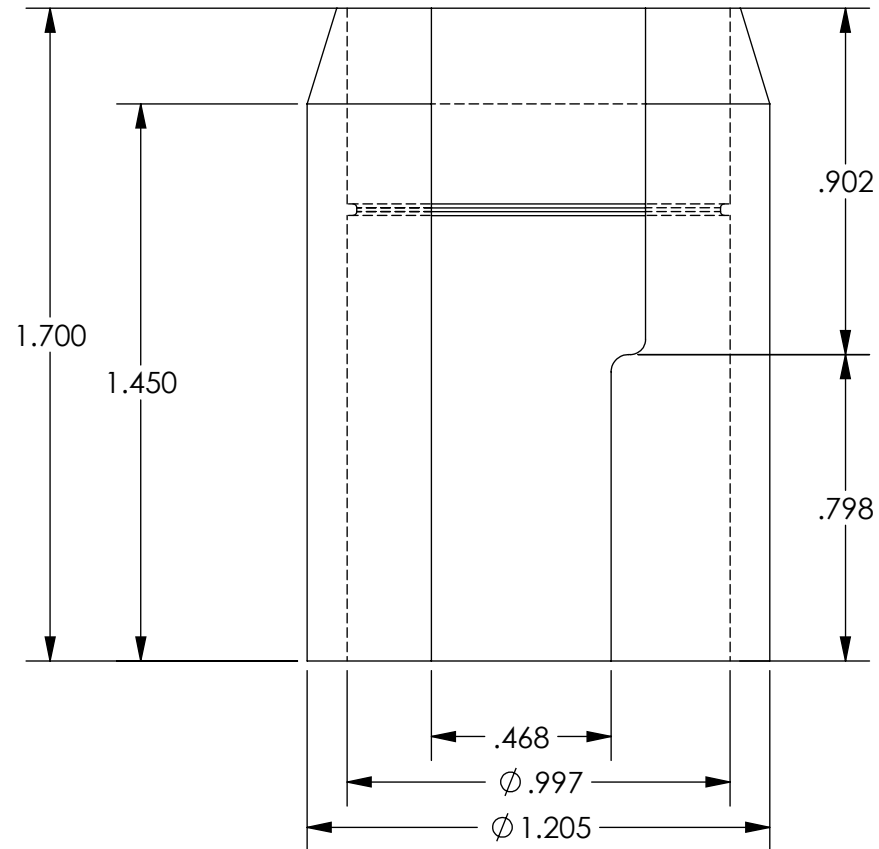
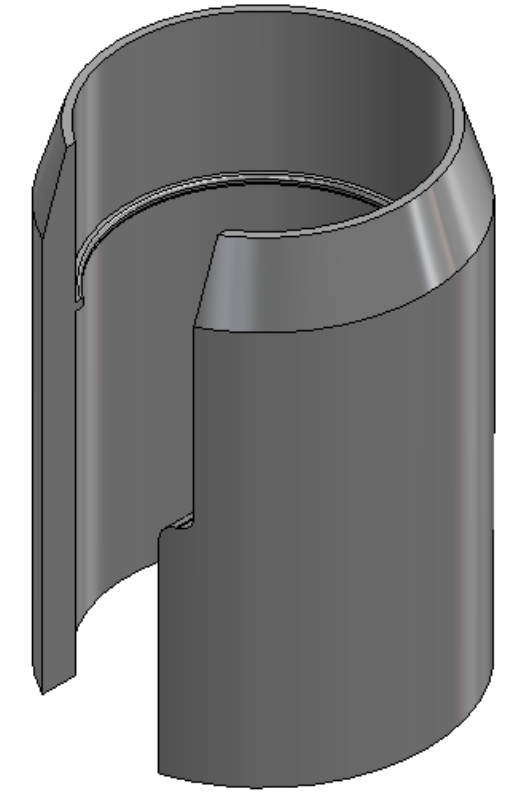
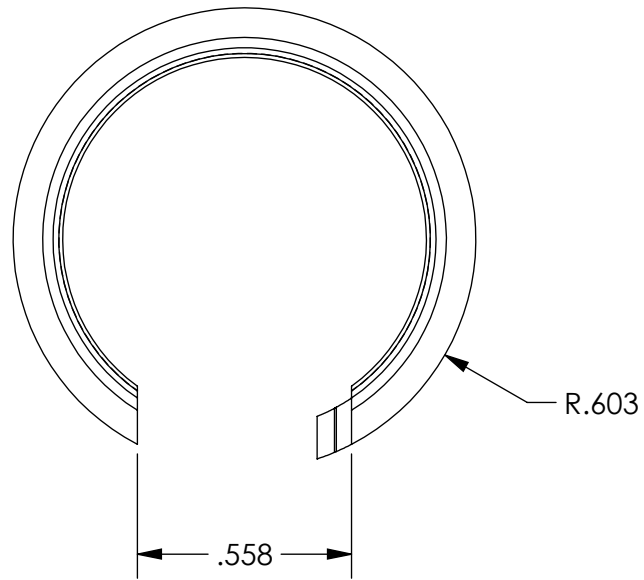



The information contained in this document is the sole property of Creative Plastics LLC. Any reproduction, in part or as a whole without the written permission of Creative Plastics LLC is strictly prohibited.



CUT LENGTH:	N/A
MATERIAL:	NYLON
COLOR:	BLACK
PART THICKNESS:	SEE DRAWING
NOTES:	N/A

REVISIONS			
REV.	DESCRIPTION	DATE	ECR No.
0	RELEASED FOR PRODUCTION	-	

DIMENSIONS IN PARENTHESES ARE FOR REFERENCE ONLY		DESIGN: WH	ENG.	DATE 06/22/2011	 Creative Plastics LLC WWW.CREATIVEPLASTICSLLC.COM 1039 Willowdale Rd. NW Dalton, GA 30720
ENCIRCLED DIMENSIONS ARE CRITICAL TO QUALITY		WEIGHT: .0361	SCALE: NTS	SIZE: A	
UNLESS OTHERWISE SPECIFIED: DIM. ARE IN INCHES, ANGULAR TOL. = ±1° LINEAR = ±.032" FRACTIONS = ±1/32		DIE NUMBER	QUOTE NUMBER		
INTERPRET DIM. & TOL. PER ASME Y14.5M - 1994		ITEM DESCRIPTION SHELF BUSHING			
		PART NUMBER BUS1001			REV.