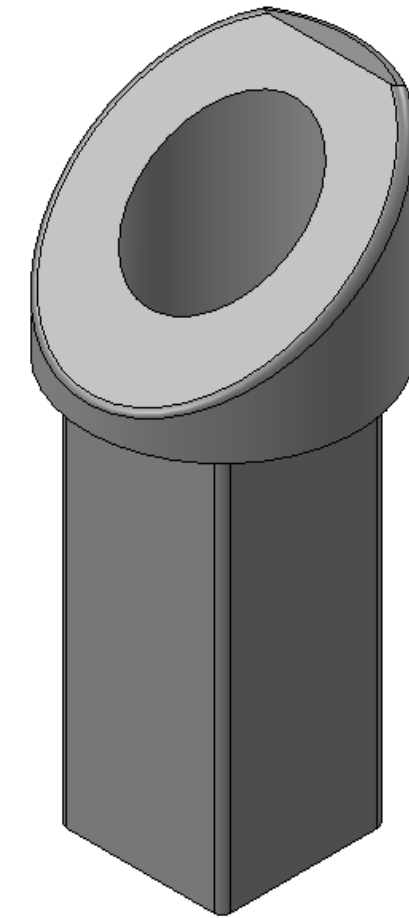
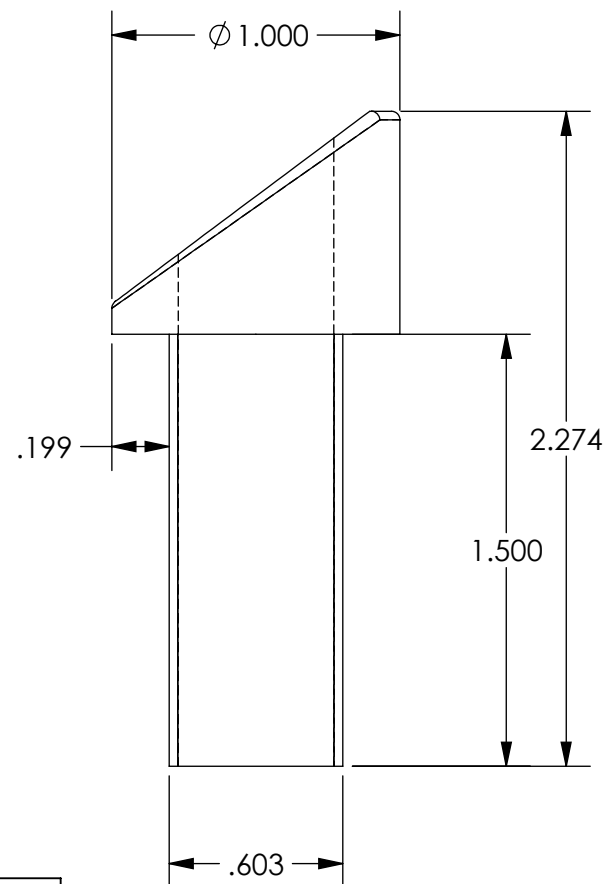
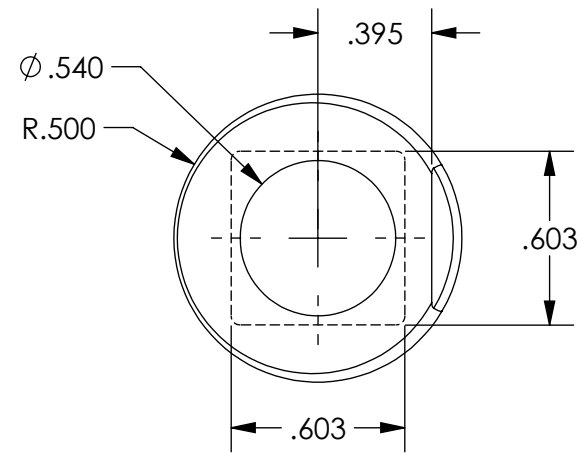



The information contained in this document is the sole property of Creative Plastics LLC. Any reproduction, in part or as a whole without the written permission of Creative Plastics LLC is strictly prohibited.



CUT LENGTH:	N/A
MATERIAL:	NYLON 6/6
COLOR:	BLACK
PART THICKNESS:	N/A
NOTES:	N/A

REVISIONS			
REV.	DESCRIPTION	DATE	ECR No.
0	RELEASED FOR PRODUCTION	-	

DIMENSIONS IN PARENTHESES ARE FOR REFERENCE ONLY	DESIGN:	ENG.	DATE	 Creative Plastics LLC WWW.CREATIVEPLASTICSLLC.COM
	WH		06/22/2011	
ENCIRCLED DIMENSIONS ARE CRITICAL TO QUALITY	WEIGHT:	SCALE:	SIZE:	1039 Willowdale Rd. NW Dalton, GA 30720 706-529-5372
	.0168 LBS	NTS	A	
UNLESS OTHERWISE SPECIFIED: DIM. ARE IN INCHES, ANGULAR TOL. = ±1° LINEAR = ±.032" FRACTIONS = ±1/32	DIE NUMBER	QUOTE NUMBER		ITEM DESCRIPTION BOTTOM INSERT
INTERPRET DIM. & TOL. PER ASME Y14.5M - 1994	PART NUMBER	REV.		SHEET 1 of 1
	BUS1003			