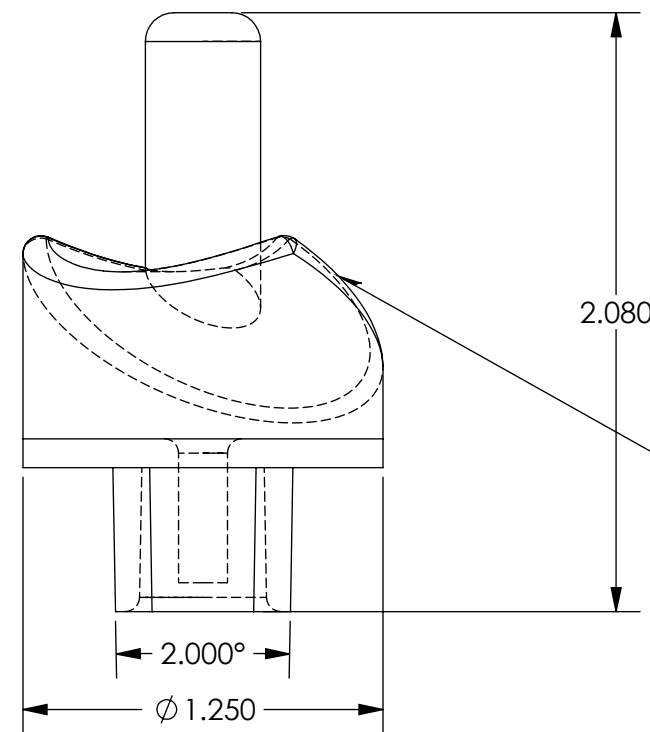
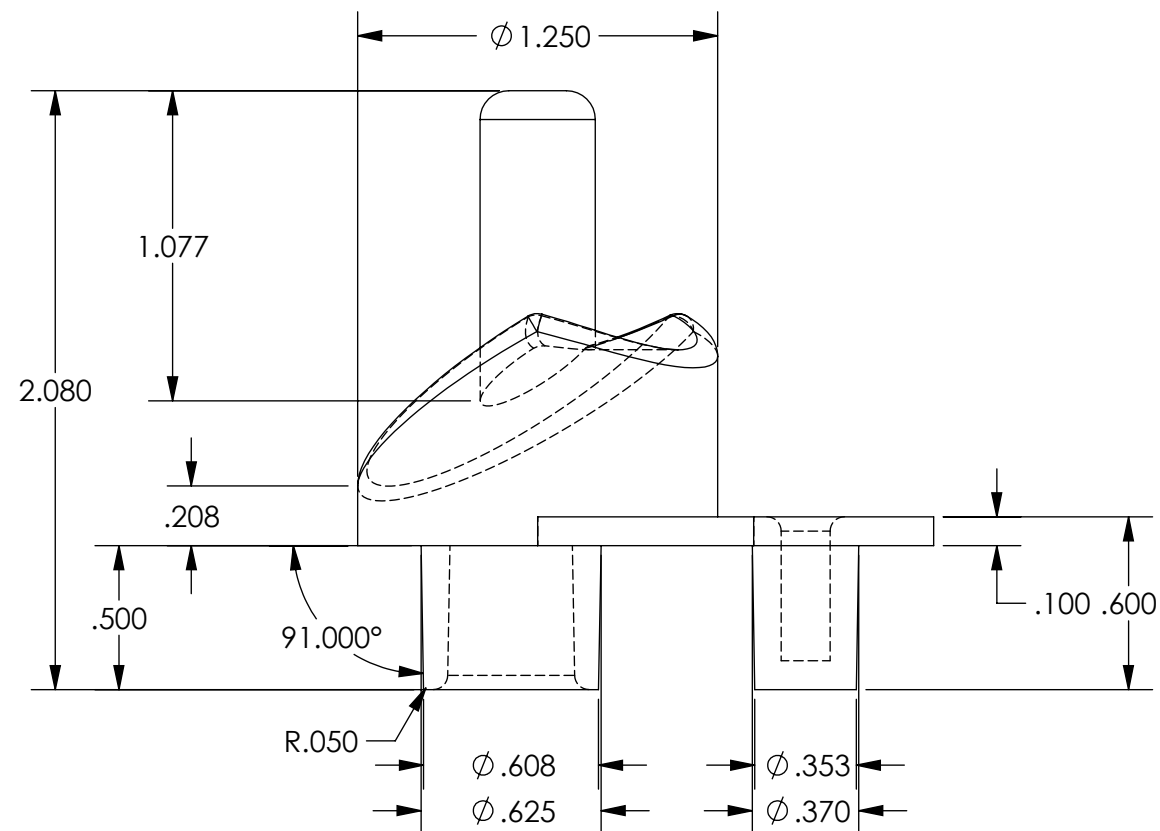
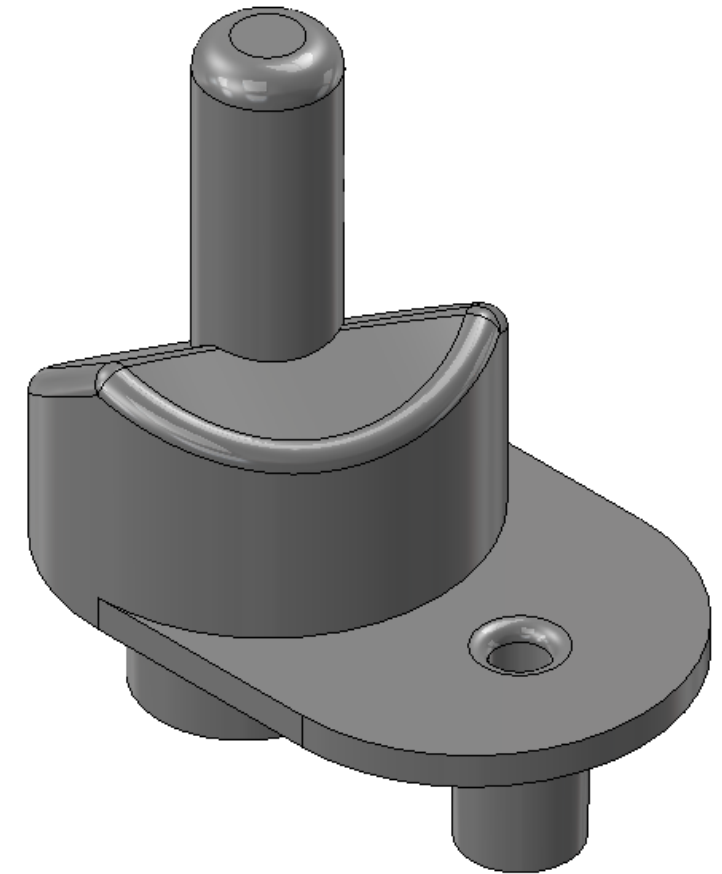
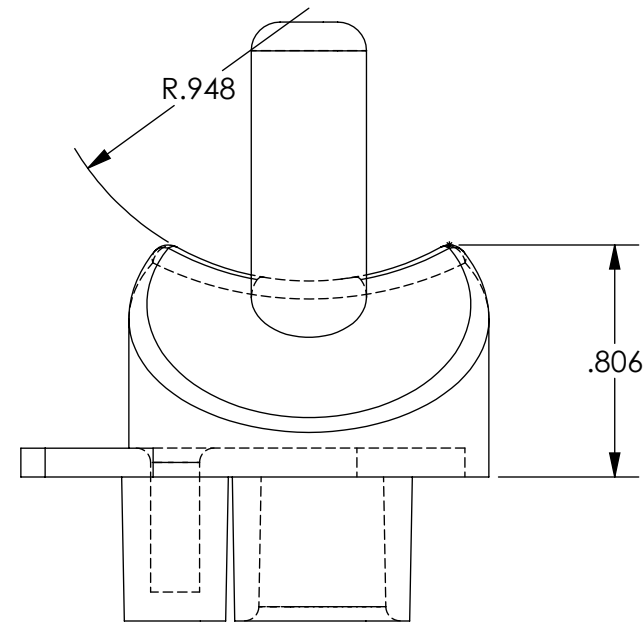
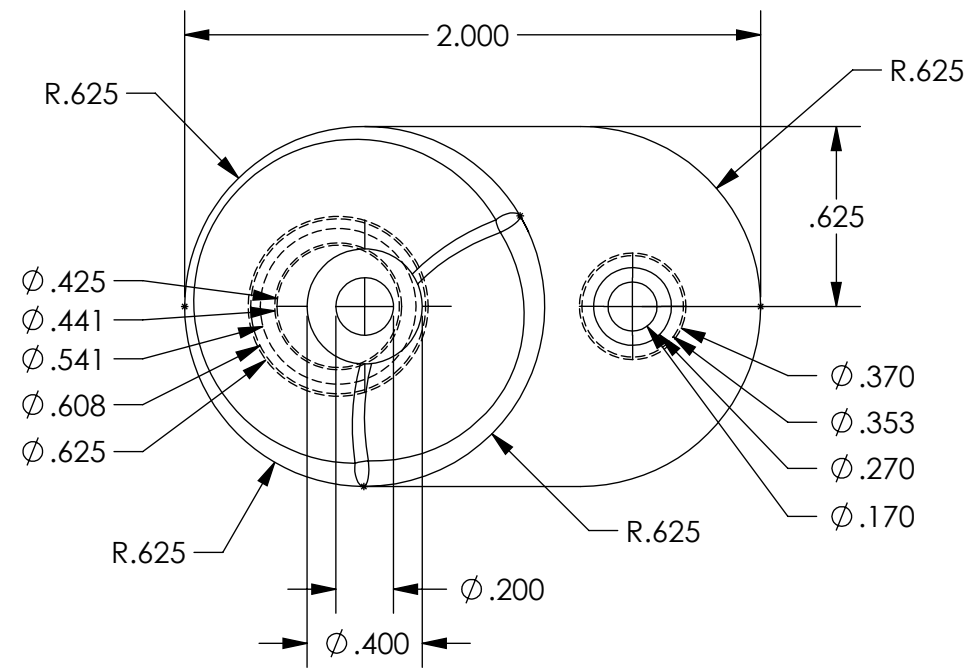



The information contained in this document is the sole property of Creative Plastics LLC. Any reproduction, in part or as a whole without the written permission of Creative Plastics LLC is strictly prohibited.



CUT OUT ON THE BACK SIDE IS AT 55.05°

CUT LENGTH:	
MATERIAL:	NYLON
COLOR:	BLACK
PART THICKNESS:	
NOTES:	

REVISIONS			
REV.	DESCRIPTION	DATE	ECR No.
0	RELEASED FOR PRODUCTION	-	

DIMENSIONS IN PARENTHESES ARE FOR REFERENCE ONLY		DESIGN: WH	ENG.	DATE 02/13/2012	 Creative Plastics LLC WWW.CREATIVEPLASTICSLLC.COM 1039 Willowdale Rd. NW Dalton, GA 30720
ENCIRCLED DIMENSIONS ARE CRITICAL TO QUALITY		AREA:	SCALE: NTS	SIZE: A	
UNLESS OTHERWISE SPECIFIED: DIM. ARE IN INCHES, ANGULAR TOL. = ±1° LINEAR = ±.032" FRACTIONS = ±1/32		DIE NUMBER	QUOTE NUMBER		
INTERPRET DIM. & TOL. PER ASME Y14.5M - 1994		ITEM DESCRIPTION SIGN HOLDER BUSHING			
		PART NUMBER BUS1005 - R1			REV.