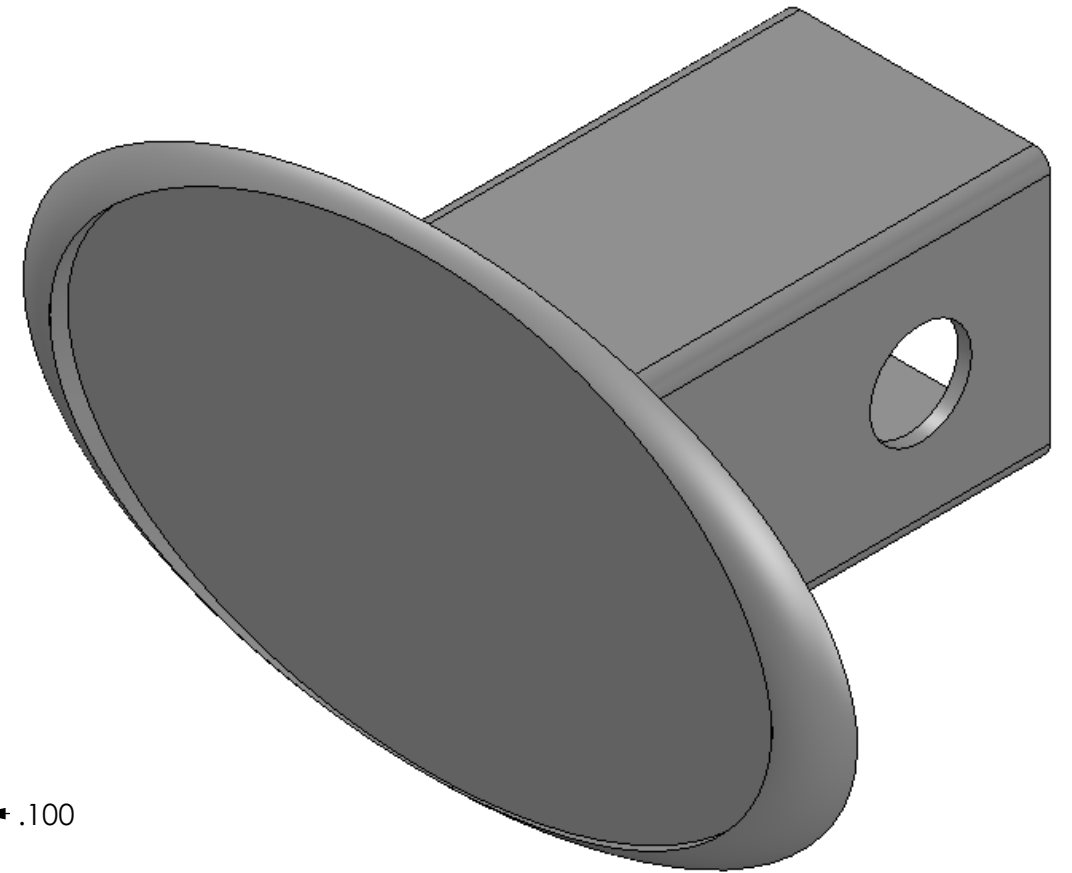
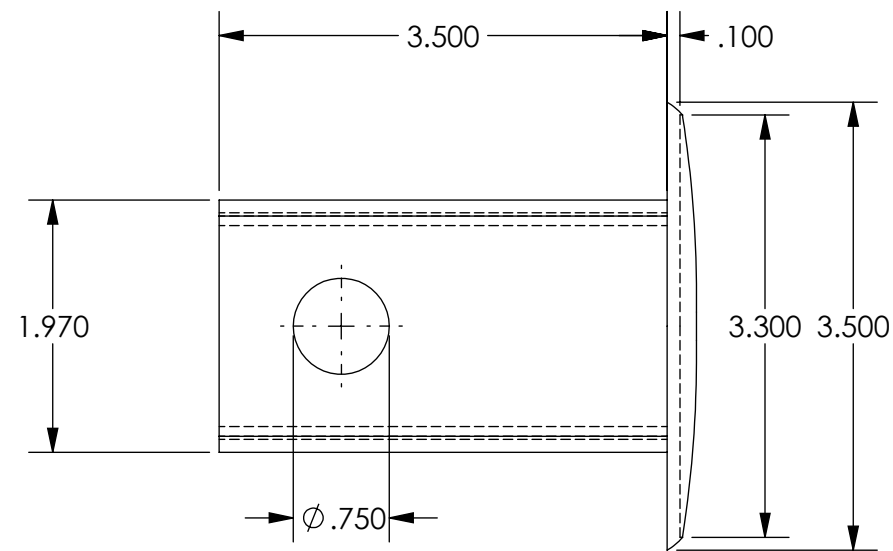
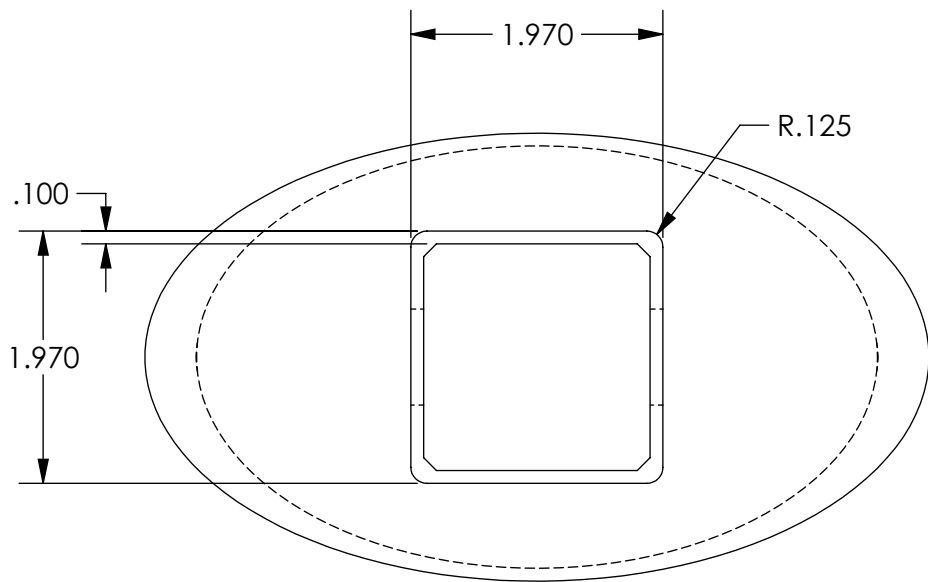
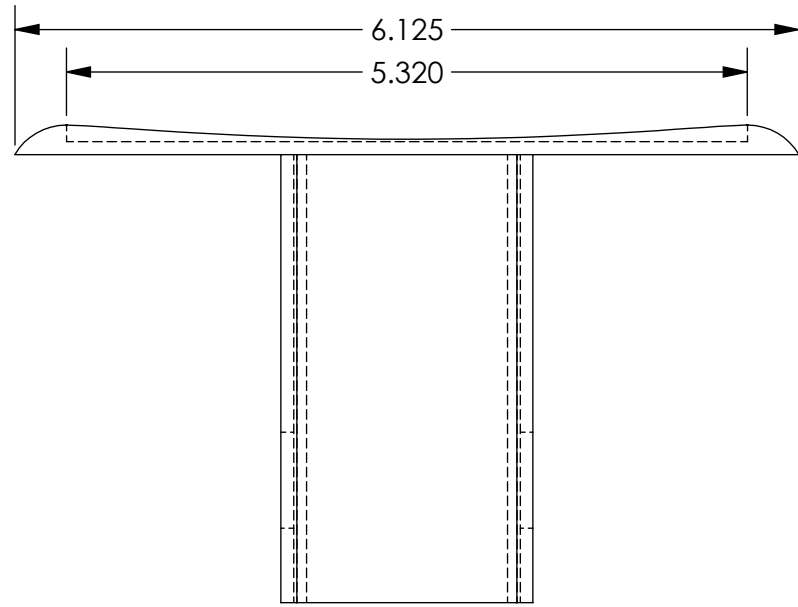



The information contained in this document is the sole property of Creative Plastics LLC. Any reproduction, in part or as a whole without the written permission of Creative Plastics LLC is strictly prohibited.



CUT LENGTH:	N/A
MATERIAL:	HIPS
COLOR:	BLACK
PART THICKNESS:	N/A
NOTES:	N/A

REVISIONS			
REV.	DESCRIPTION	DATE	ECR No.
0	RELEASED FOR PRODUCTION	-	

DIMENSIONS IN PARENTHESES ARE FOR REFERENCE ONLY	DESIGN:	ENG.	DATE	 Creative Plastics LLC WWW.CREATIVEPLASTICSLLC.COM 1039 Willowdale Rd. NW Dalton, GA 30720
	WH		07/07/2011	
ENCIRCLED DIMENSIONS ARE CRITICAL TO QUALITY	AREA:	SCALE:	SIZE:	
		NTS	A	
UNLESS OTHERWISE SPECIFIED: DIM. ARE IN INCHES, ANGULAR TOL. = $\pm 1^\circ$ LINEAR = $\pm .032$ " FRACTIONS = $\pm 1/32$	DIE NUMBER	QUOTE NUMBER		
	ITEM DESCRIPTION			
INTERPRET DIM. & TOL. PER ASME Y14.5M - 1994	OVAL HITCH COVER			
	PART NUMBER	REV.		
	1670 OVAL			