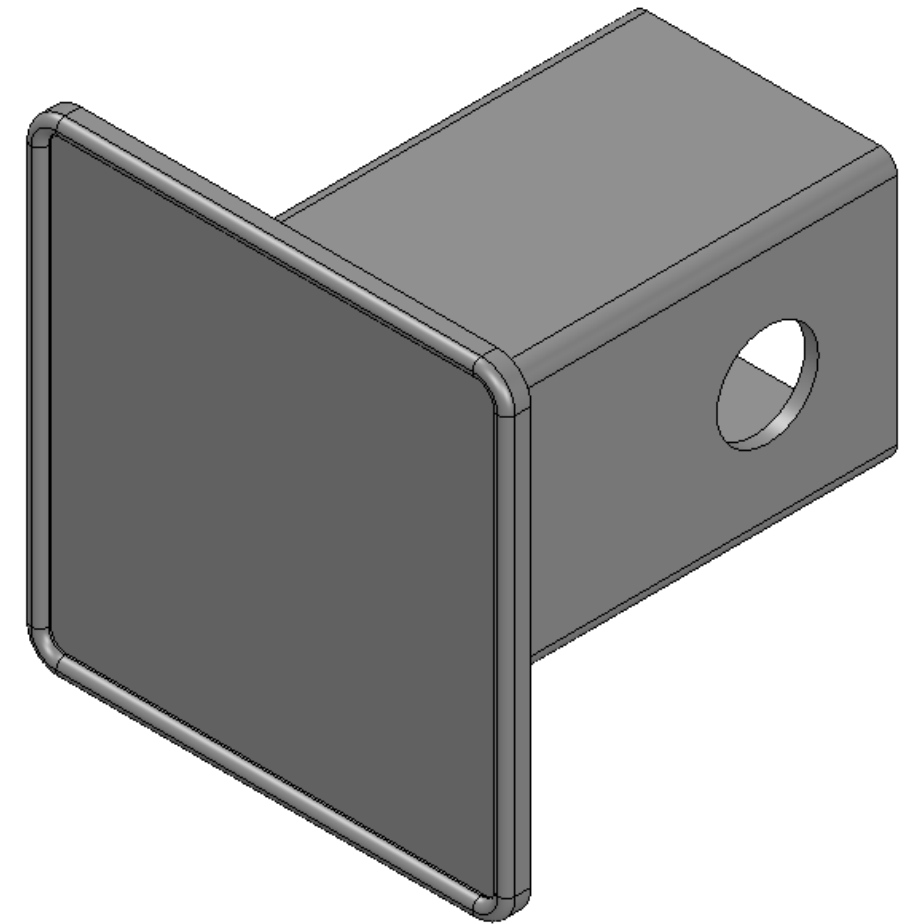
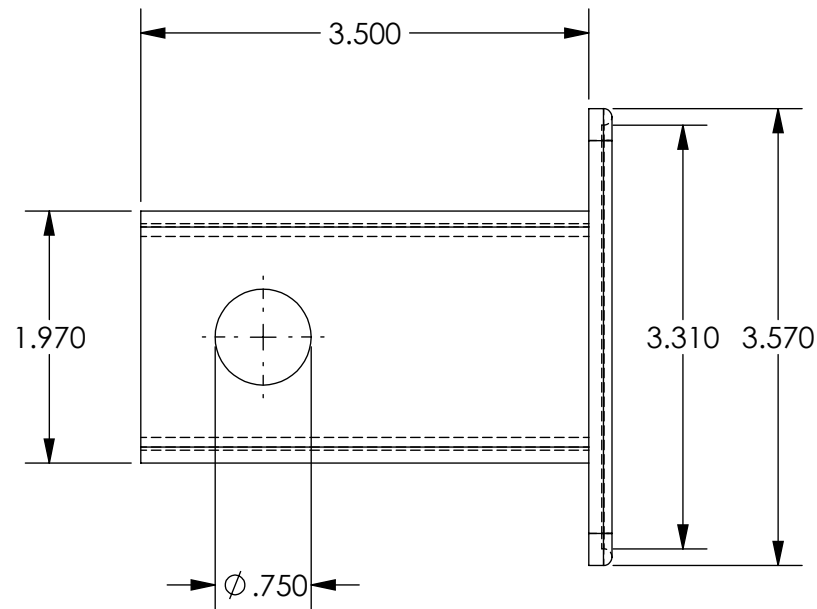
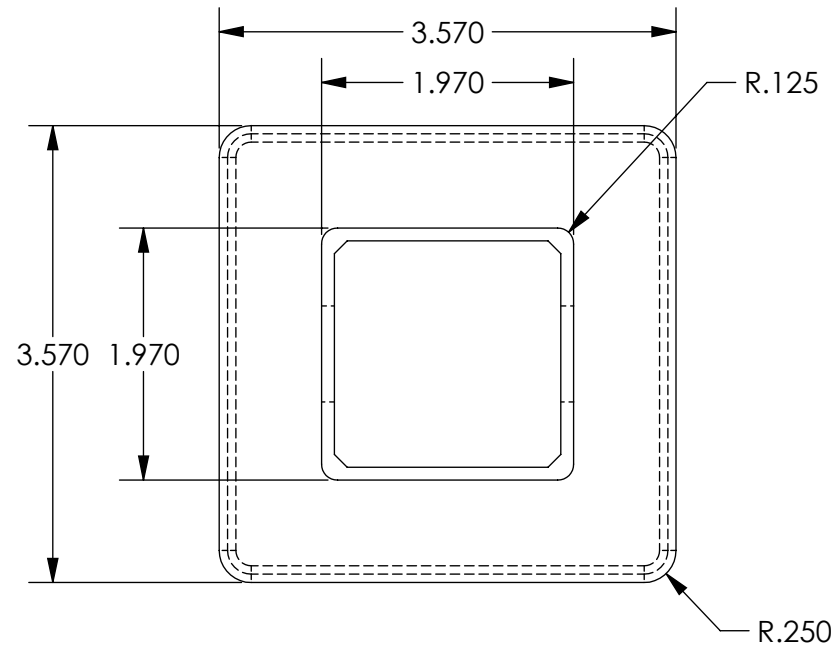
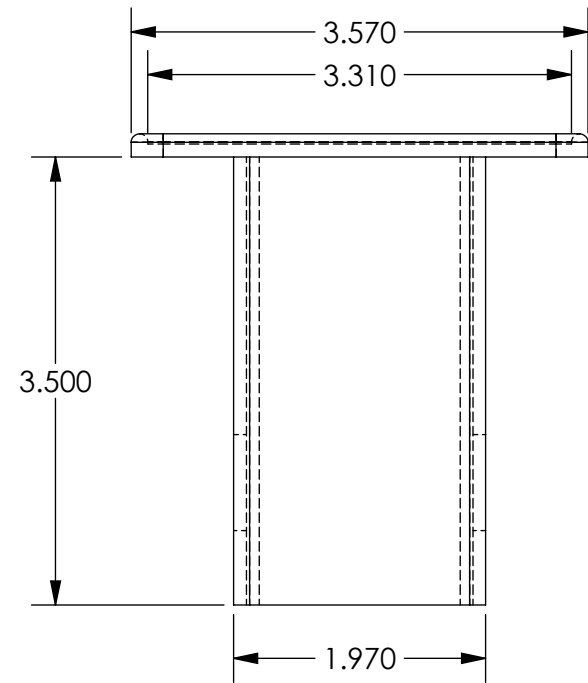



The information contained in this document is the sole property of Creative Plastics LLC. Any reproduction, in part or as a whole without the written permission of Creative Plastics LLC is strictly prohibited.



CUT LENGTH:	N/A
MATERIAL:	HIPS
COLOR:	BLACK
PART THICKNESS:	N/A
NOTES:	N/A

REVISIONS			
REV.	DESCRIPTION	DATE	ECR No.
0	RELEASED FOR PRODUCTION	-	

DIMENSIONS IN PARENTHESES ARE FOR REFERENCE ONLY	DESIGN:	ENG.	DATE	 Creative Plastics LLC <small>WWW.CREATIVEPLASTICSLLC.COM</small> <small>1039 Willowdale Rd. NW Dalton, GA 30720</small>
	WH		07/07/2011	
ENCIRCLED DIMENSIONS ARE CRITICAL TO QUALITY	AREA:	SCALE:	SIZE:	
		NTS	A	
UNLESS OTHERWISE SPECIFIED: DIM. ARE IN INCHES, ANGULAR TOL. = ±1° LINEAR = ±.032" FRACTIONS = ±1/32	DIE NUMBER	QUOTE NUMBER		
INTERPRET DIM. & TOL. PER ASME Y14.5M - 1994	ITEM DESCRIPTION			
	SQUARE HITCH COVER			
	PART NUMBER			REV.
	1672 SQUARE			