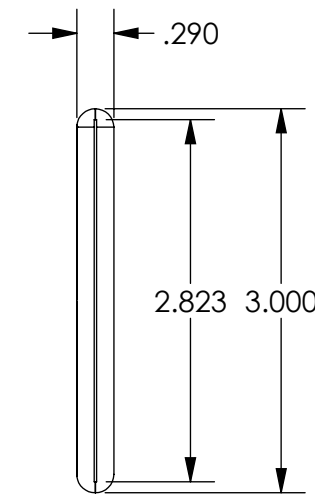
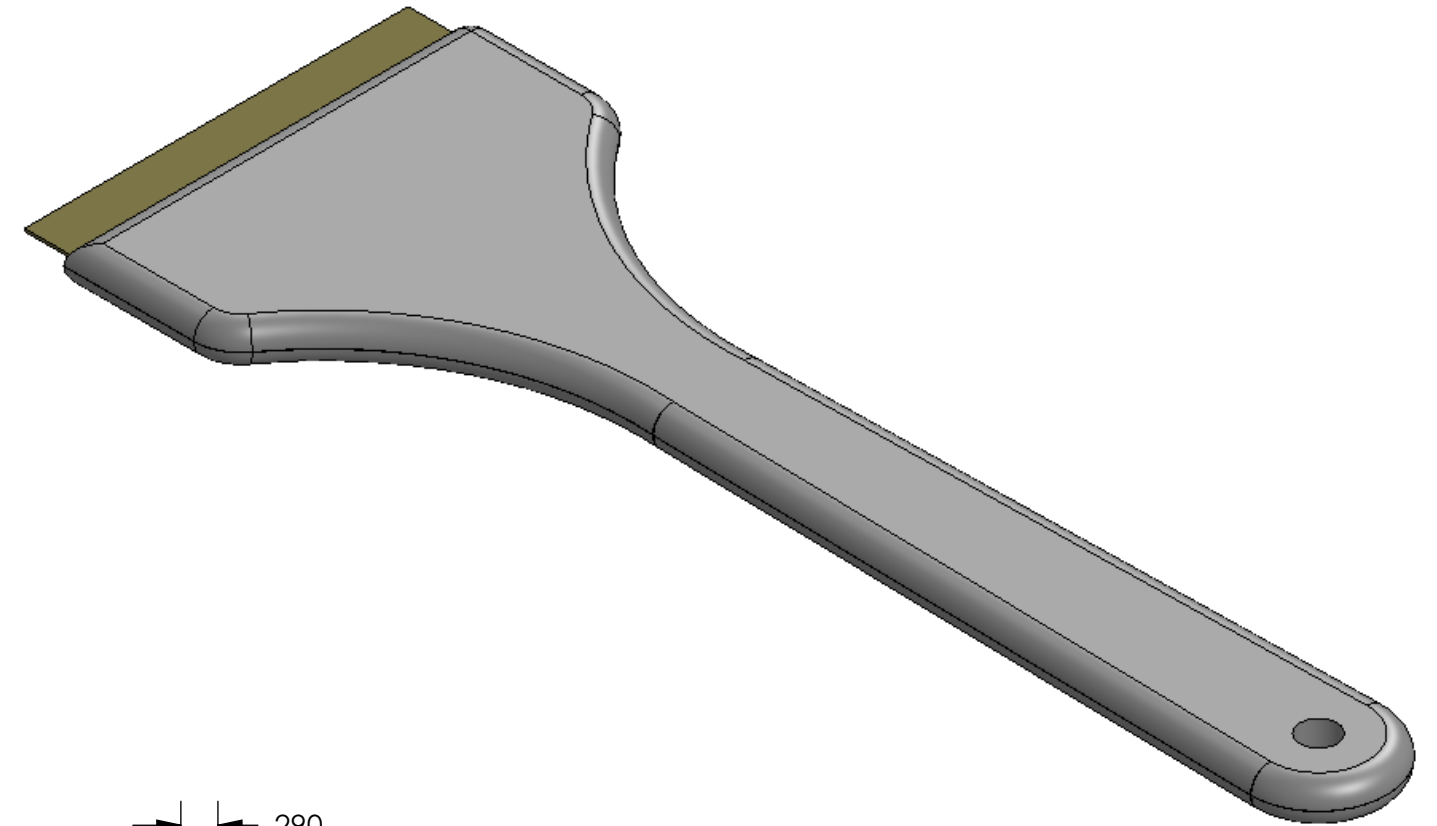
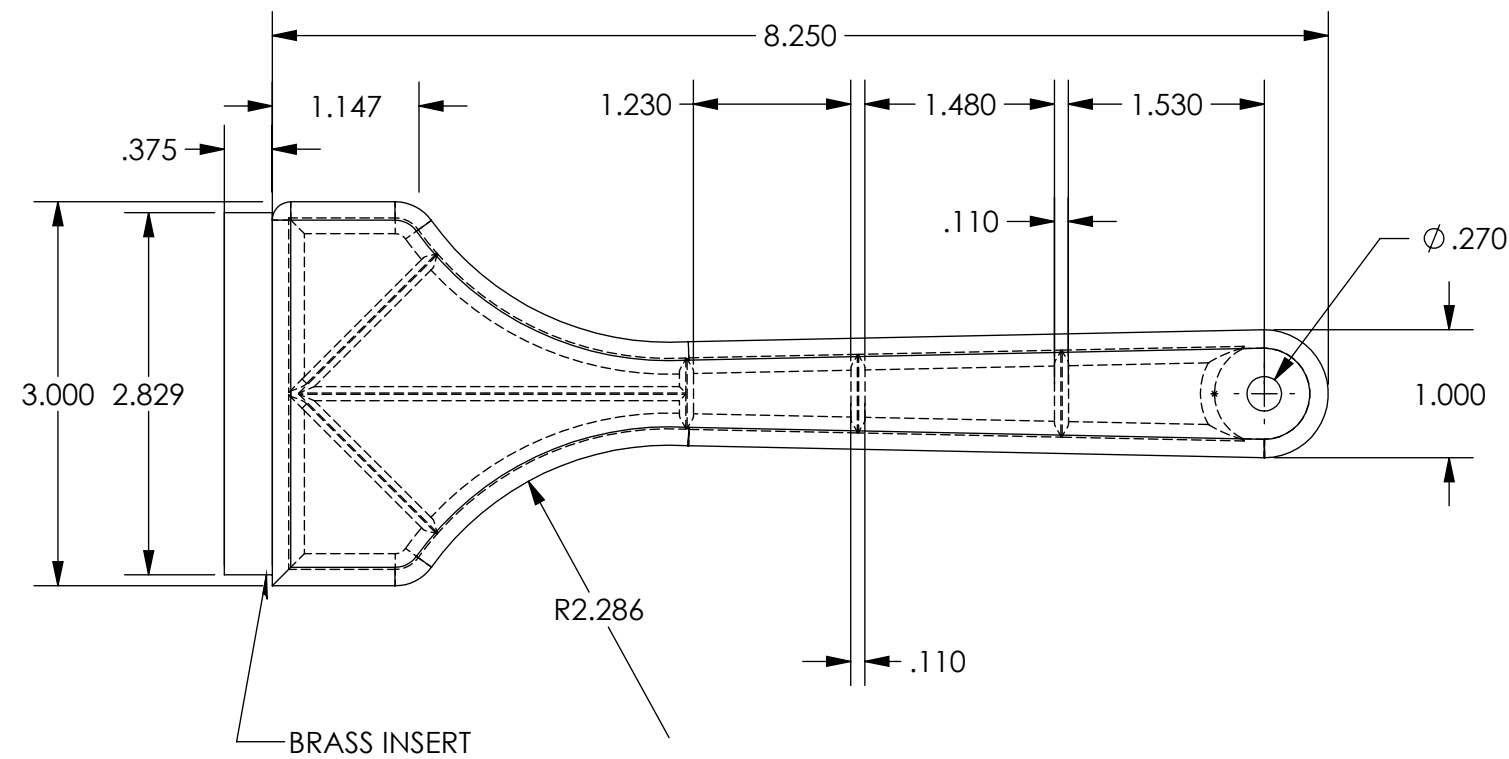
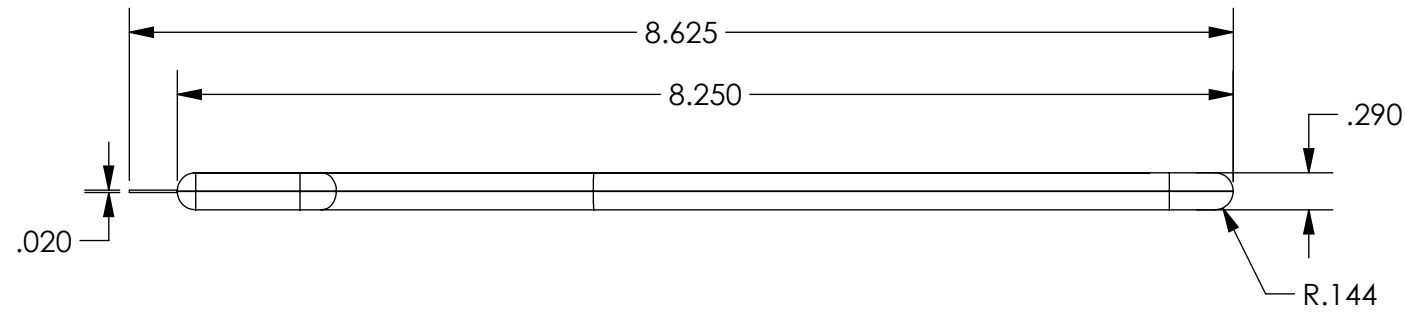



The information contained in this document is the sole property of Creative Plastics LLC. Any reproduction, in part or as a whole without the written permission of Creative Plastics LLC is strictly prohibited.



CUT LENGTH:	N/A
MATERIAL:	HIPS
COLOR:	BLACK, BLUE, RED, & YELLOW
PART THICKNESS:	.290"
NOTES:	N/A

REVISIONS			
REV.	DESCRIPTION	DATE	ECR No.
0	RELEASED FOR PRODUCTION	-	

DIMENSIONS IN PARENTHESES ARE FOR REFERENCE ONLY		DESIGN: WH	ENG.	DATE 07/06/2011	 Creative Plastics LLC <small>WWW.CREATIVEPLASTICSLLC.COM</small>
ENCIRCLED DIMENSIONS ARE CRITICAL TO QUALITY		AREA:	SCALE: NTS	SIZE: A	
UNLESS OTHERWISE SPECIFIED: DIM. ARE IN INCHES, ANGULAR TOL. = $\pm 1^\circ$ LINEAR = $\pm .032$ " FRACTIONS = $\pm 1/32$		DIE NUMBER	QUOTE NUMBER		<small>1039 Willowdale Rd. NW Dalton, GA 30720</small> <small>706-529-5372</small>
INTERPRET DIM. & TOL. PER ASME Y14.5M - 1994		ITEM DESCRIPTION FANTASTIC ICE SCRAPER			SHEET 1 of 1
		PART NUMBER ICE SCRAPER			