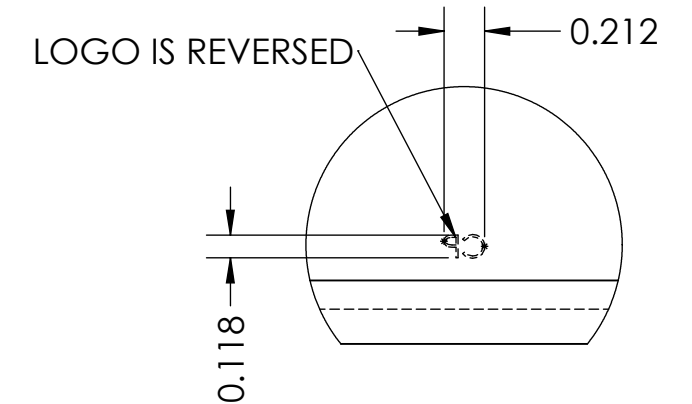
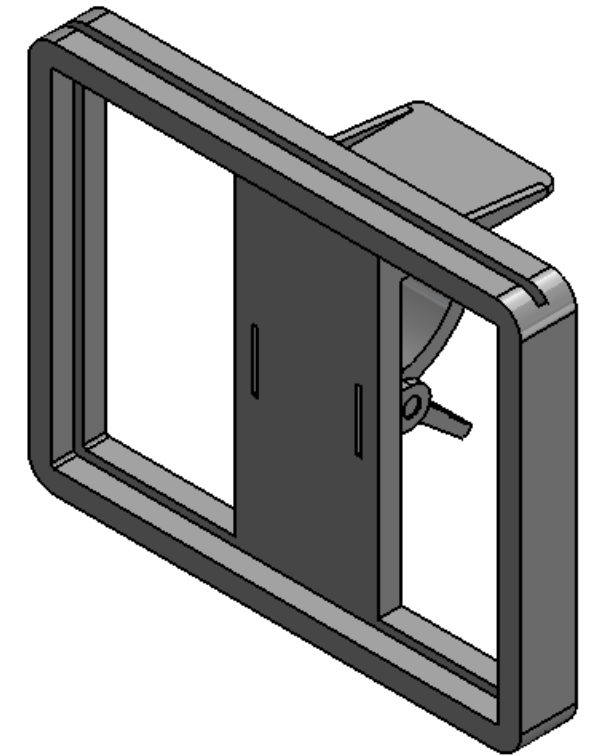
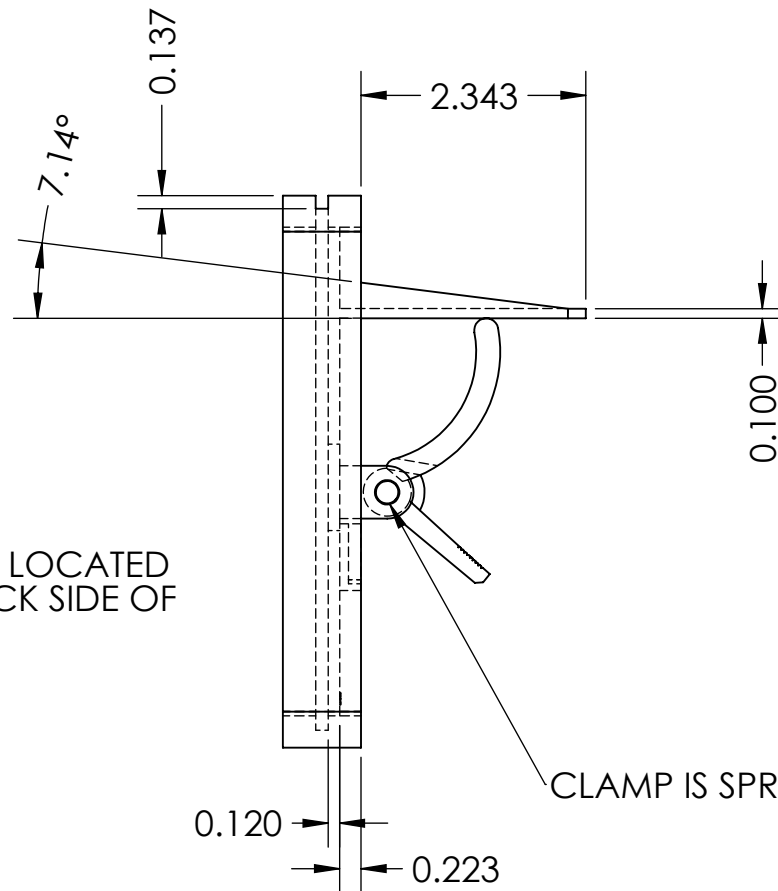
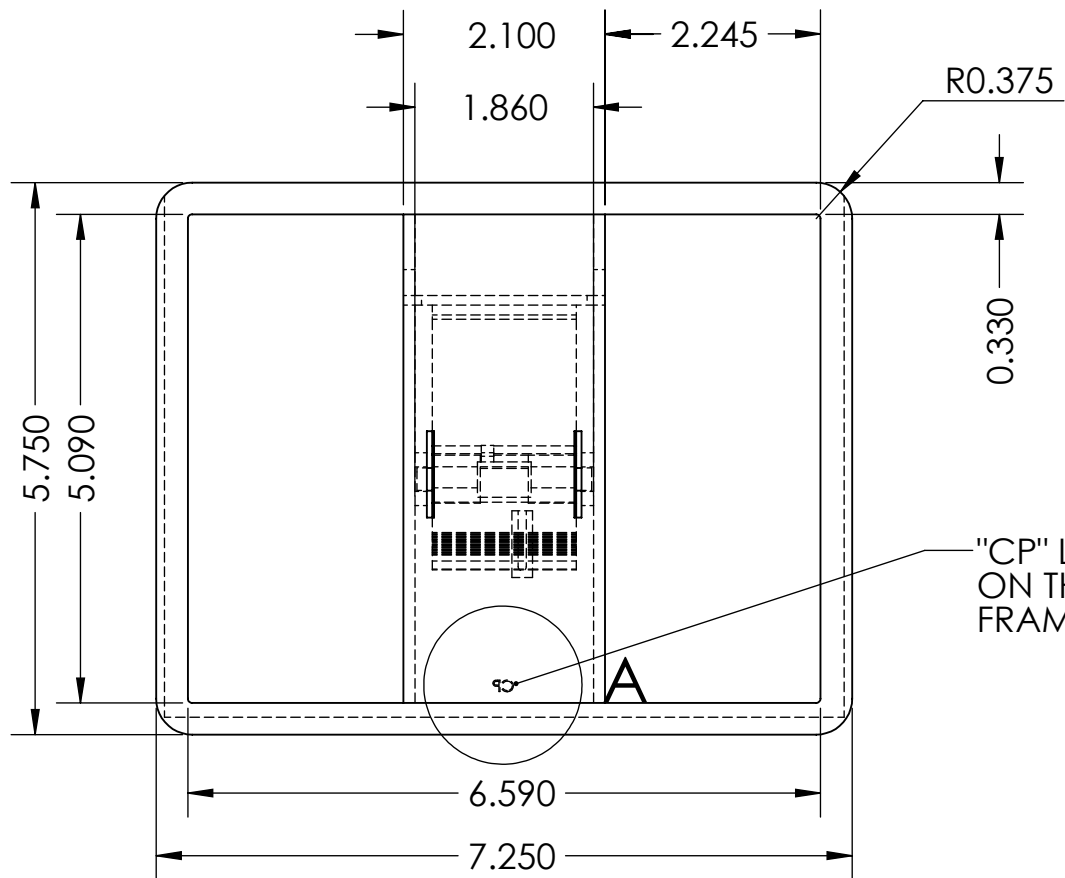
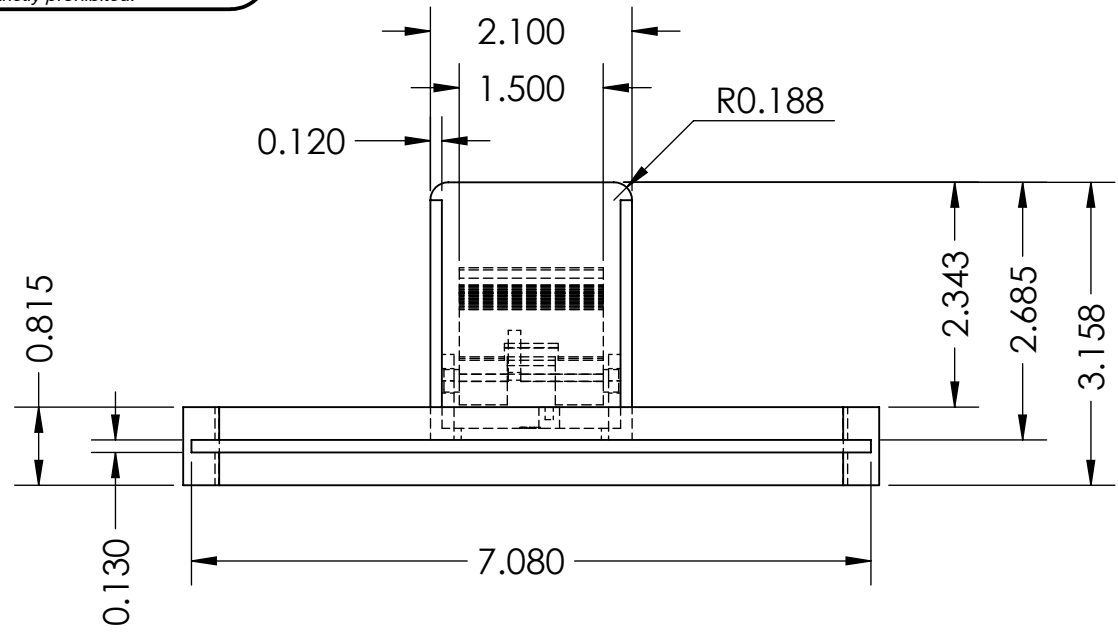



The information contained in this document is the sole property of Creative Plastics LLC. Any reproduction, in part or as a whole without the written permission of Creative Plastics LLC is strictly prohibited.



DETAIL A
SCALE 1 : 1

| | |
|-----------------|-------|
| CUT LENGTH: | |
| MATERIAL: | HIPS |
| COLOR: | BLACK |
| PART THICKNESS: | |
| NOTES: | |

| | | | | |
|--|--------------|--------------|------------|---|
| DIMENSIONS IN PARENTHESES ARE FOR REFERENCE ONLY | DESIGN: | ENG. | DATE |  Creative Plastics LLC <small>WWW.CREATIVEPLASTICSLLC.COM</small> |
| | WH | | 10/21/2013 | |
| ENCIRCLED DIMENSIONS ARE CRITICAL TO QUALITY | AREA: | SCALE: | SIZE: | <small>1039 Willowdale Rd. NW Dalton, GA 30720</small> <small>706-529-5372</small> |
| | | NTS | A | |
| UNLESS OTHERWISE SPECIFIED: DIM. ARE IN INCHES, ANGULAR TOL. = ±1° LINEAR = ±.032" FRACTIONS = ±1/32 | DIE NUMBER | QUOTE NUMBER | | CLAMP ON SHELF TALKER |
| | | | | |
| INTERPRET DIM. & TOL. PER ASME Y14.5M - 1994 | PART NUMBER | REV. | | SHEET 1 of 1 |
| | INJ-TSA-1002 | | | |