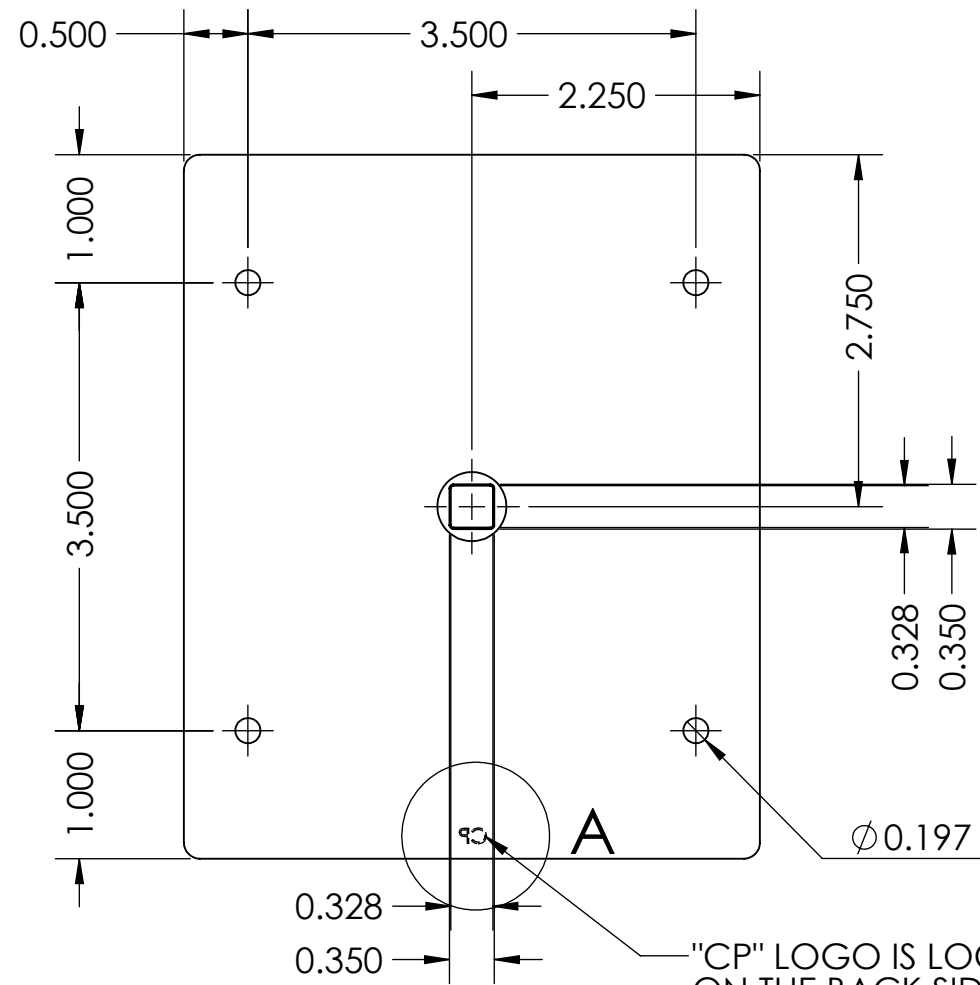
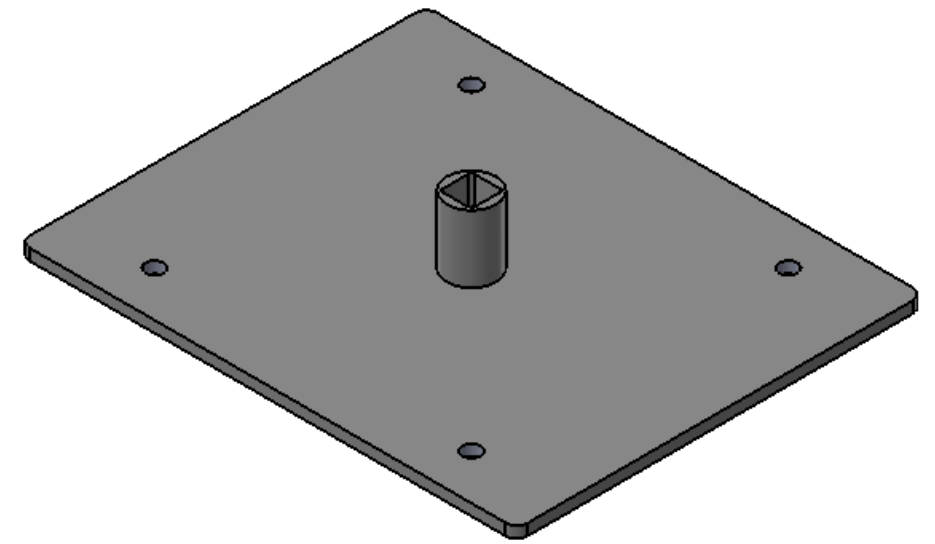
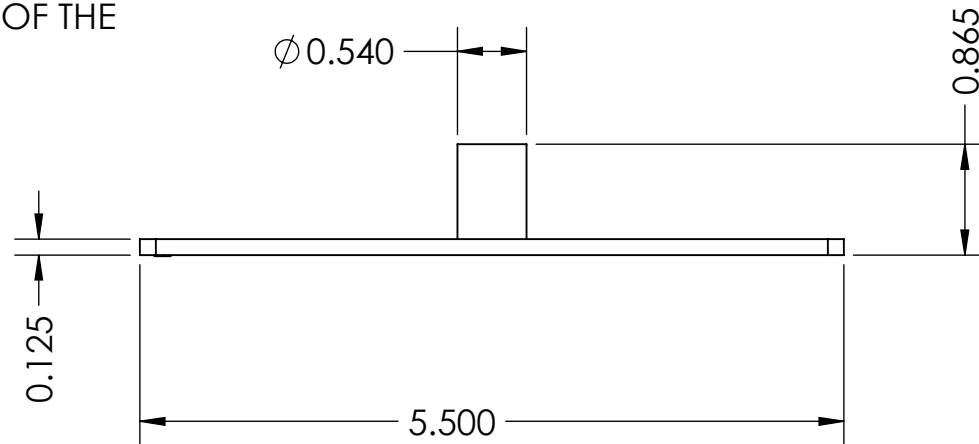
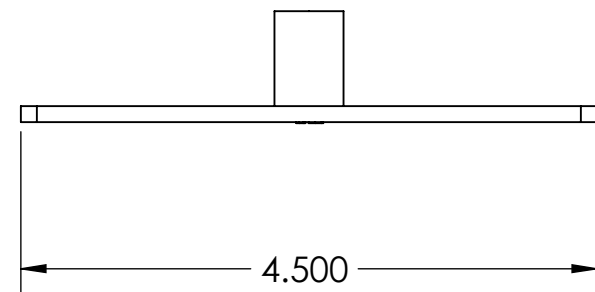


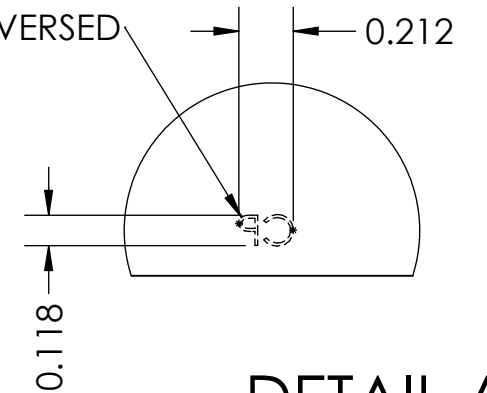
The information contained in this document is the sole property of Creative Plastics LLC. Any reproduction, in part or as a whole without the written permission of Creative Plastics LLC is strictly prohibited.



"CP" LOGO IS LOCATED ON THE BACK SIDE OF THE BASE




LOGO IS REVERSED



DETAIL A  
SCALE 2 : 1.5

CUT LENGTH:	
MATERIAL:	HIPS
COLOR:	BLACK
PART THICKNESS:	
NOTES:	

DIMENSIONS IN PARENTHESES ARE FOR REFERENCE ONLY	DESIGN:	ENG.	DATE	 <b>Creative Plastics LLC</b> <small>WWW.CREATIVEPLASTICSLLC.COM</small>
	WH		10/21/2013	
ENCIRCLED DIMENSIONS ARE CRITICAL TO QUALITY	AREA:	SCALE:	SIZE:	<small>1039 Willowdale Rd. NW Dalton, GA 30720</small> <small>706-529-5372</small>
		NTS	A	
UNLESS OTHERWISE SPECIFIED: DIM. ARE IN INCHES, ANGULAR TOL. = ±1° LINEAR = ±.032" FRACTIONS = ±1/32	DIE NUMBER	QUOTE NUMBER		<b>4.00" CENTER BASE</b>
INTERPRET DIM. & TOL. PER ASME Y14.5M - 1994	PART NUMBER	REV.		<b>SHEET 1 of 1</b>
	INJ-TSA-1003			