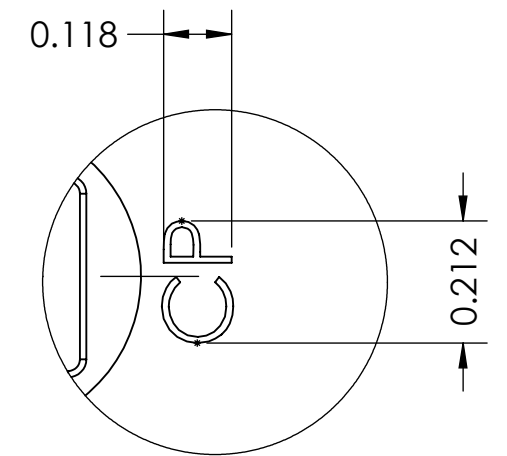
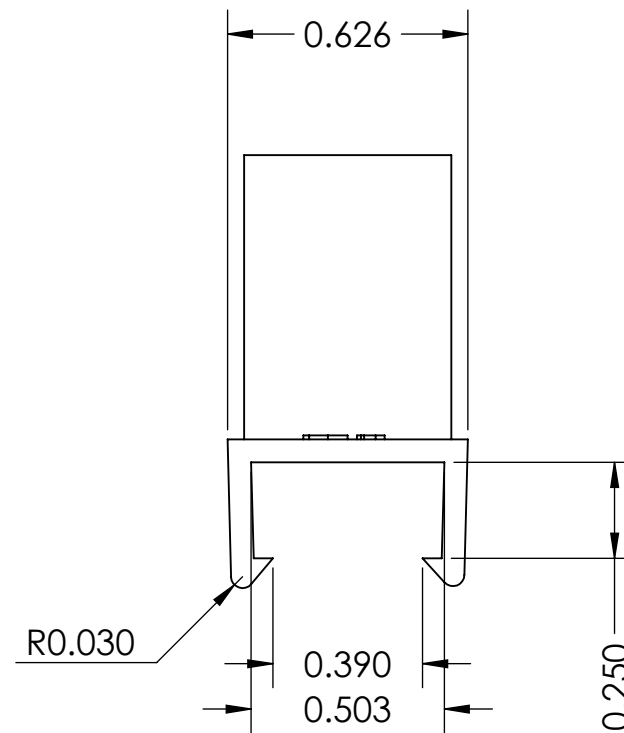
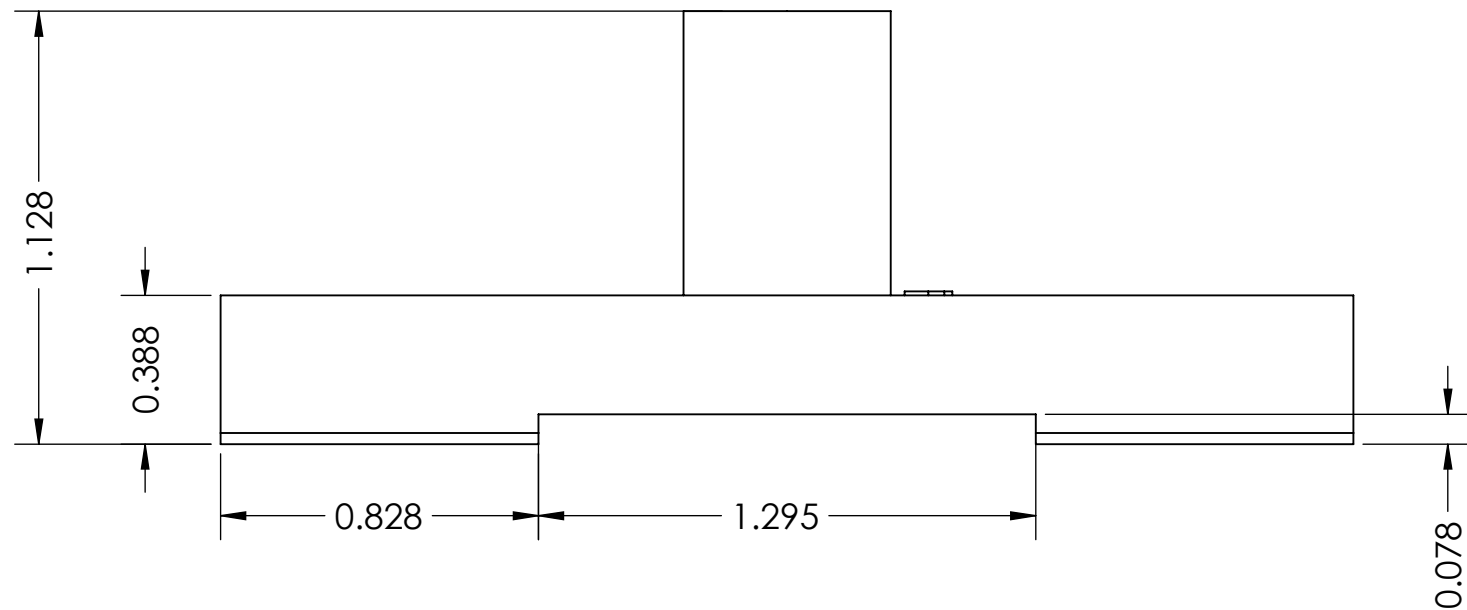
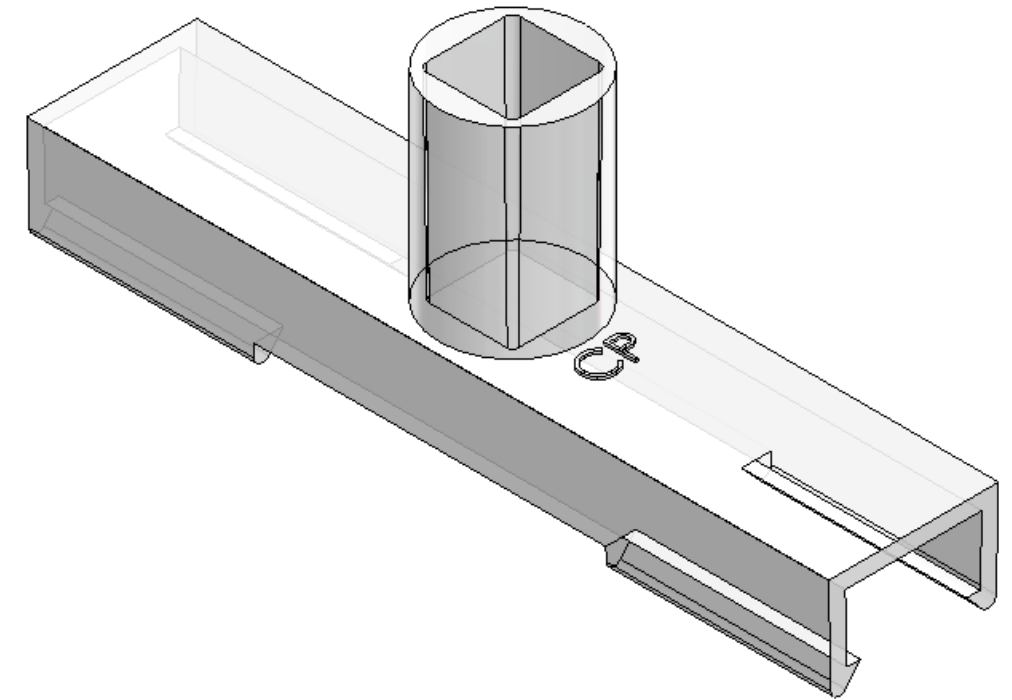
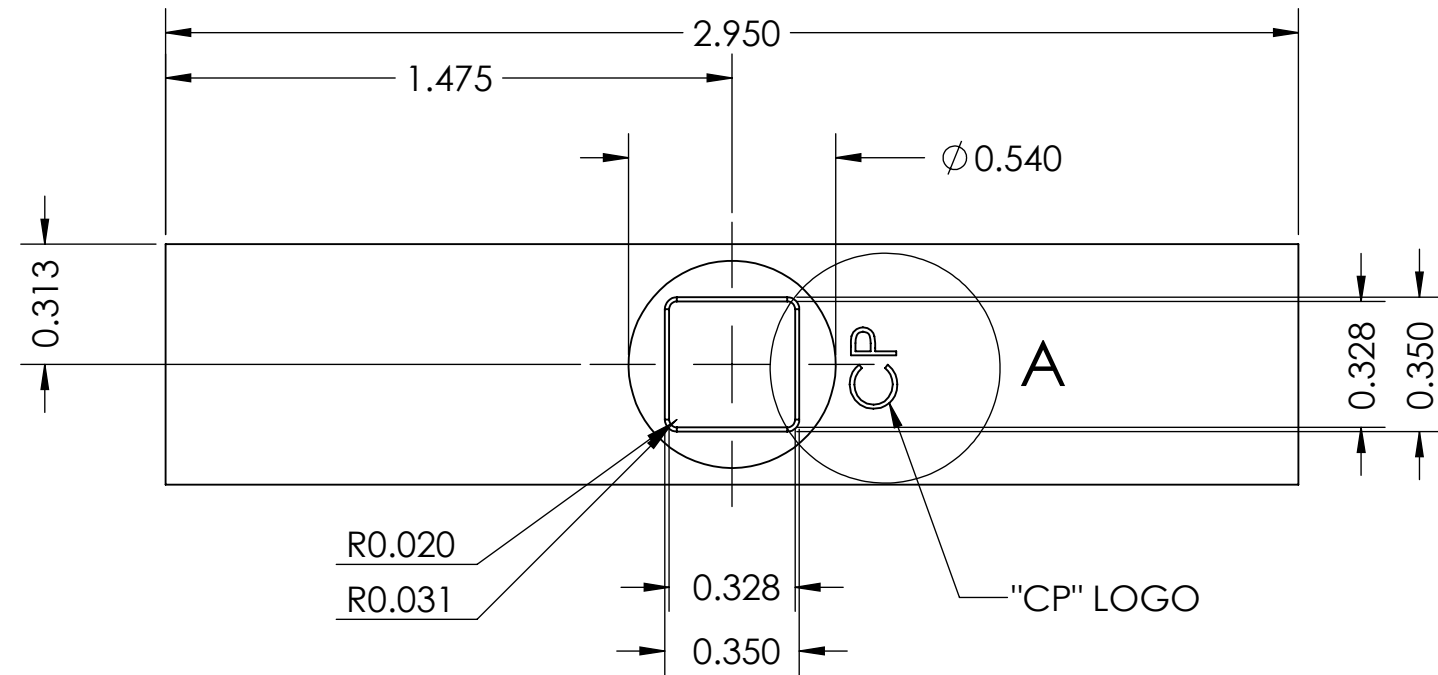



The information contained in this document is the sole property of Creative Plastics LLC. Any reproduction, in part or as a whole without the written permission of Creative Plastics LLC is strictly prohibited.



DETAIL A
SCALE 3 : 1

CUT LENGTH:	
MATERIAL:	PC
COLOR:	CLEAR
PART THICKNESS:	
NOTES:	

DIMENSIONS IN PARENTHESES ARE FOR REFERENCE ONLY	DESIGN:	ENG.	DATE	 Creative Plastics LLC <small>WWW.CREATIVEPLASTICSLLC.COM</small>
	WH		10/21/2013	
ENCIRCLED DIMENSIONS ARE CRITICAL TO QUALITY	AREA:		SCALE:	SIZE:
			NTS	A
UNLESS OTHERWISE SPECIFIED: DIM. ARE IN INCHES, ANGULAR TOL. = ±1° LINEAR = ±.032" FRACTIONS = ±1/32	DIE NUMBER		QUOTE NUMBER	<small>1039 Willowdale Rd. NW Dalton, GA 30720</small> <small>706-529-5372</small>
INTERPRET DIM. & TOL. PER ASME Y14.5M - 1994	ITEM DESCRIPTION	STEM MOUNT		SHEET 1 of 1
	PART NUMBER	INJ-TSA-1005		
	REV.			